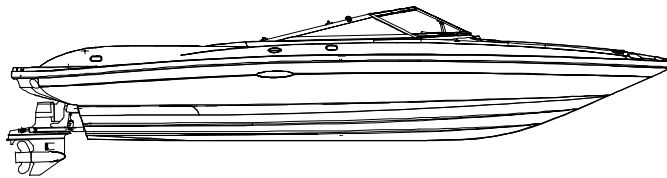


# Sea Ray Owner's Manual

*Sea Ray* 

## 205 Sport



Owner's Manual Part Number: MRP 1803628



---

# WELCOME

---

## 205 Sport



Congratulations on becoming the new owner of the world's most prestigious boat. We at Sea Ray® Boats, Inc. welcome you into our worldwide and ever-expanding family of boating enthusiasts.

The Owner's Manual Packet, to be kept on board your Sea Ray, gives you important information on all the features of your Sea Ray. For years of trouble-free boating take the time to carefully review the information in your Owner's Manual Packet and really get to know your boat. **Have everyone who will operate your boat read this manual.**

The Owner's Manual Packet contains the following:

- **Owner's Manual**

The Owner's Manual gives you important operating and safety information, as well as reminding you about your responsibilities as a boat owner/operator.

- **Original Equipment Manufacturer (OEM) Information**

This section of your Owner's Manual Packet contains information from the manufacturers of equipment installed on your boat. Examples include the engine, engine control and steering system. Throughout the Owner's Manual you will be referred to information provided by manufacturers of specific systems.

Because your purchase represents a substantial investment, we know you will want to take the necessary measures to protect its value. We have outlined a program for proper operation, periodic maintenance and safety inspections. We urge you to follow these recommendations. If you have questions which are not fully covered by the Owner's Manual Packet, please consult your authorized dealer for assistance.

*Thank You For Selecting A Sea Ray®!*

*Bon Voyage*



THIS PAGE LEFT INTENTIONALLY BLANK



---

# INTRODUCTION

---

## 1. THIS MANUAL

The material here and in the rest of the Owner's Manual Packet:

- Gives you basic safety information;
- Describes the features of your boat;
- Describes the equipment on your boat;
- Describes the fundamentals of boat use; and
- Contains service and maintenance information.

**You must learn to operate this boat as well as read, understand and use this manual.**

What this manual does not give you is a course in boating safety, or how to navigate, anchor or dock you boat. Operating a power boat safely requires more skills, knowledge and awareness than is necessary for a car or truck.

## 2. YOUR RESPONSIBILITIES

For your safety, the safety of your passengers, other boaters and people in the water, you must:

- Take a boating safety course;
- Get instruction in the safe and proper handling of your boat;
- Understand and follow the "rules of the road";
- Learn how to navigate.

## 3. SOURCES OF INFORMATION

In North America, contact one of the following for boating courses:

- U.S. Coast Guard Auxiliary
- U.S. Power Squadron
- Canadian Power and Sail Squadrons
- Red Cross
- State Boating Offices

- Yacht Clubs

Contact your dealer or the Boat/U.S. Foundation at 1-800-336-2628

Outside of North America, contact your boat dealer and/or your governmental boating agency for assistance.

A book that provides a comprehensive background in boating is Chapman - Piloting, Seamanship and small Boat handling, by Elbert S. Maloney, published by Hearst Marine.

## 4. DEALER RESPONSIBILITIES

In addition to a pre-delivery check and service of the boat, your dealer is to give you:

- A description and demonstration of the safety systems, features, instruments and controls on your boat;
- An orientation in the general operation of your boat;
- An "In Service Form" completed by you and the dealer after your inspection of the boat;
- A review of all warranty information and how to obtain warranty service;
- The complete Owner's Manual Packet.

If you do not receive all of these materials, or have any questions, contact your dealer or call: 1-800-SRBOATS (International 1-314-216-3333).

## 5. WARRANTIES

Your boat comes with several warranties. Each component and/or system on your boat has its own warranty that will be found with the specific information and manual for that component. These are included with your Owner's Manual Packet. Locate and read the individual warranties; then put them together for easy future reference. The Sea Ray® warranty is on the warranty information card in your packet and is repeated on the next page.



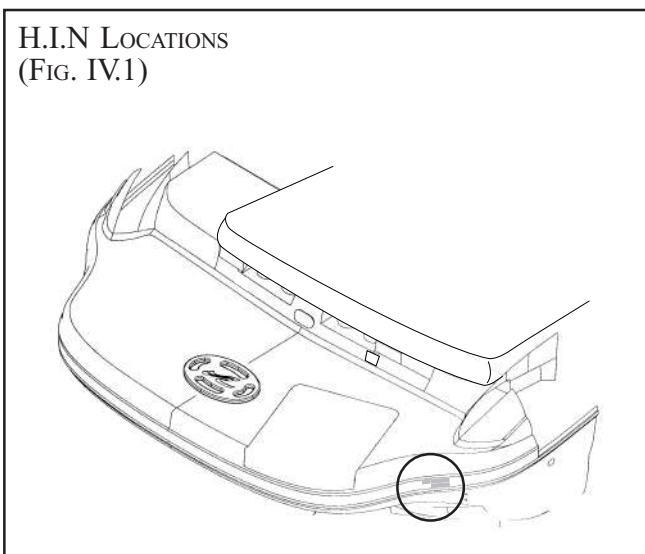
---

# INTRODUCTION

---

## 6. HULL IDENTIFICATION NUMBER (HIN)

The “Hull Identification Number” located on the starboard side of the transom, is the most important identifying factor and must be included in all correspondence and orders. Failure to include it creates delays. Also of vital importance are the engine serial numbers and part numbers when writing about or ordering parts for your engine. Refer to the Engine Operator’s Manual for locations of engine serial numbers and record them for future reference.



## 7. MANUFACTURER’S CERTIFICATION

A CE mark means that your Sea Ray® Boat has been certified to meet the applicable International Organization for Standardization directives.

NMMA certification means that your Sea Ray® Boat has been judged by the National Marine Manufacturers Association to be in compliance with applicable federal regulations and American Boat and Yacht Council standards.

The following information is furnished in compliance with ISO directives and RSG guidelines in effect as of the date of publication of this manual. Sea Ray® will provide additional information as standards are amended. The following information, required for export of the vessel, must be filled out by the dealer.

Boat Model: _____
Design Category: <input type="checkbox"/> Ocean <input type="checkbox"/> Offshore <input type="checkbox"/> Inshore <input type="checkbox"/> Sheltered Waters
Hull Identification Number: _____
Maximum Recommended Load: _____
Recommended Number of Passengers: _____
Maximum Rated Engine Power: _____
<u>Engine Installed</u>
Manufacturer: _____
Model and Number: _____
<u>Weight of Craft</u>
W/Engine & Permanently Attached Items: _____
Without Engine: _____

## 8. SERVICE, PARTS AND REPAIR FOR YOUR BOAT

When your boat needs service, parts or repair, take it to an authorized Sea Ray® dealer. To find a dealer in your area call:

1-800-SRBOATS

Fax: 1-314-213-7878

Domestic / International  
or on the web at [www.searay.com](http://www.searay.com)

To find repair and parts facilities for the equipment installed on your boat, refer to the manual for that component.

If a problem is not handled to your satisfaction:

1. Discuss any warranty-related problems directly with the service manager of the dealership or your sales person. Give the dealer an opportunity to help the service department resolve the matter for you.
2. If a problem arises that has not been resolved to your satisfaction by your dealer, contact Sea Ray® Boats at 1-800-SRBOATS and the appropriate customer service department information will be provided to you.





## ABOUT YOUR LIMITED WARRANTY

Sea Ray offers an express limited warranty on each new Sea Ray sport boat purchased through an authorized Sea Ray dealer. A copy of the Sea Ray Sport Boat Limited Warranty (“Limited Warranty”) was included in your owner’s packet. If for any reason, you did not receive a copy of the limited warranty, please contact your local dealer or call 1-800-SRBOATS for a replacement copy. This is a summary of several provisions of the Limited Warranty. Please read the Limited Warranty, which is the controlling document.

Under the Limited Warranty, Sea Ray covers: (a) structural fiberglass deck or hull defects which occur within five (5) years of the date of delivery; (b) parts found to be defective in factory material or workmanship within one (1) year of the date of delivery; (c) laminate blisters resulting from defects in factory material or workmanship for five (5) years on a prorated basis.

On Sport Boats, Sea Ray provides additional warranty coverage to its five-year structural hull/deck coverage with a limited life-time structural hull/deck warranty. This limited lifetime structural coverage provides repairs of any Structural Fiberglass Hull/Deck Defect for as long as the original owner owns the Sport Boat. Sport Boat models and Hull/Deck Defects are defined in the Limited Warranty.

Sea Ray’s obligation under its Limited Warranty is limited to repair or replacement of parts that are judged defective by Sea Ray and does not include transportation, haul out, or other expenses. The foregoing is the **sole and exclusive** remedy provided by Sea Ray.

The Limited Warranty does not cover engines, stern drives, controls, propellers, batteries, trailers, or other equipment or accessories carrying their own individual warranties, nor does the Limited Warranty cover engines, parts or accessories not installed by Sea Ray. The Limited Warranty does not cover cosmetic gel coat finish. Boats used for commercial purpose are excluded from coverage. **See the Limited Warranty for other exclusions.**

**SEA RAY EXPRESSLY DISCLAIMS THE IMPLIED WARRANTIES OF FITNESS AND MERCHANTABILITY. NEITHER SEA RAY NOR THE SELLING DEALER SHALL HAVE ANY RESPONSIBILITY FOR LOSS OF USE OF THE BOAT, LOSS OF TIME, INCONVENIENCE, COMMERCIAL LOSS OR CONSEQUENTIAL DAMAGES.**

The unexpired term on the limited one-year parts and components coverage and the limited five-year pro-rated blister coverage of the Limited Warranty may be transferred to a subsequent owner upon the new owner’s written request. Coverage for Structural Fiberglass Hull/Deck Defects on Sport Boats may be transferred once to a second owner upon the second owner’s request, however upon transfer, this coverage will expire ten (10) years from the date of original purchase by the first retail owner, as reflected in Sea Ray’s records.

The new owner can submit a request for warranty transfer, free of charge, via the [searay.com](http://searay.com) website. Alternatively, the new owner can submit a written request to the Sea Ray Division of Brunswick Corporation, 2600 Sea Ray Blvd., Knoxville, TN 37914, accompanied by a \$50 processing fee.

*Thank you for your decision to buy a Sea Ray.*

The Limited Warranty is subject to change at any time at Sea Ray’s discretion. The information contained herein is general information about the Limited Warranty for the owner’s general knowledge, and does not alter or amend the terms of the Limited Warranty.



---

# 205 SPORT OWNER'S MANUAL • TABLE OF CONTENTS

---

## INTRODUCTION

1. This Manual .....	iii
2. Your Responsibilities .....	iii
3. Source of Information .....	iii
4. Dealer Responsibilities .....	iii
5. Warranties .....	iii
6. Hull Identification Number (HIN) .....	iv
7. Manufacturer's Certificate .....	iv
8. Service, Parts and Repair for Your Boat .....	iv
9. Express Limited Transferable Warranty .....	v

## SECTION 1 • SAFETY

1. Safety Labels .....	1.1
2. Legally Mandated Minimum Required Equipment ...	1.2
3. Fire Extinguishing Equipment .....	1.2
4. Carbon Monoxide .....	1.2
5. Life Saving Equipment .....	1.4
A. PFD Classifications .....	1.4
6. Additional Recommended Equipment for Safe Operation .....	1.5
7. Impaired Operation .....	1.5
8. Load Capacity .....	1.5
9. Power Capacity .....	1.6
10. Stability .....	1.6
11. Maintain Control .....	1.7
A. General Considerations .....	1.7
12. Weather .....	1.8
13. Chart Your Course .....	1.9
14. Water Sports .....	1.9
A. Swimming .....	1.9
B. Skiing .....	1.10
C. Diving .....	1.10
15. Emergency Situations .....	1.11
A. Medical Emergency .....	1.11
B. Water Rescue .....	1.11
C. Fire .....	1.11
D. Flooding, Swamping and Capsizing .....	1.12
E. Collisions and Leaking .....	1.12
F. Grounding .....	1.12
G. Propulsion, Control or Steering Failure .....	1.12
16. Safety Hotlines .....	1.13
17. International Requirements .....	1.13
18. Environmental Considerations .....	1.13
19. Nautical Terms .....	1.15
20. Key to Symbols on Control & Prints .....	1.16
21. 205 Sport Warning Label Locations .....	1.17

## SECTION 2 • GENERAL BOAT ARRANGEMENT

1. Docking/Lifting/Trailing .....	2.1
2. Passenger Location .....	2.1
3. Propulsion System .....	2.2
4. Basic Boat Dimensions and Clearances .....	2.3
5. Propellers .....	2.3
6. General Deck Layout .....	2.4
7. Helm Gauge and Switch Layout .....	2.5
8. Function and Location of Thru-Hull Cutouts .....	2.6
9. Description of Major Controls .....	2.7
A. Gear Shift and Throttle Control .....	2.7
B. Power Trim Unit and Gauge .....	2.7
C. Ignition Shutdown Switch (Standard on Side Mount Controls) .....	2.8
D. Engine Alarm System (Only on Certain Engines) .....	2.8
10. Important Gauges .....	2.9
A. Tachometer and Hourmeter .....	2.9
B. Oil Pressure, Water Temperature, Voltmeter and Fuel Gauge .....	2.9
C. Magnetic Compass .....	2.9
11. Navigation and Anchor Light .....	2.10

## SECTION 3 • USING YOUR BOAT

1. Pre-Launch, Launch and Post-Launch Checklist .....	3.1
2. Trailer Launching and Loading .....	3.2
3. Fueling the Boat .....	3.2
4. Boarding .....	3.3
5. Personal Flotation Devices (PFDs) .....	3.4
6. Passenger Instruction and Location .....	3.4
7. Starting the Engines .....	3.4
8. Shifting to Drive the Boat .....	3.6
9. Stopping the Engines .....	3.6
10. Steering System .....	3.6

## SECTION 4 • BILGE & UNDERWATER GEAR

1. Bilge .....	4.1
A. Fuel & Oil Spillage .....	4.1
B. Drain Plug .....	4.1
C. Bilge Pump .....	4.1
D. Bilge Blower .....	4.2
E. Engine and Stern Drive .....	4.3
F. Bilge Layout .....	4.5





---

# 205 SPORT OWNER'S MANUAL • TABLE OF CONTENTS

---

## SECTION 5 • FUEL SYSTEM

1. Fuel System .....	5.1
A. Anti-Siphon Valve (Engines Less Than 5.0 Liters) .....	5.1
B. Electric Fuel Valves (Engines 5.0 Liters or Larger) .....	5.1
2. Fueling Precautions .....	5.2
A. General .....	5.2
B. Before & During Fueling - Checklist .....	5.2
C. After Fueling - Checklist .....	5.2

## SECTION 6 • ELECTRICAL SYSTEM

1. Electrical System .....	6.1
A. Direct Current (DC) .....	6.1
B. Battery Switch (Only with CE Option) .....	6.3
2. Ignition Protection .....	6.3
3. Fuses .....	6.3
4. 12 Volt Accessory Receptacle .....	6.4
5. Lighting .....	6.4
6. Electrolytic Corrosion and Zinc Anodes .....	6.4
7. Electrical Schematics .....	6.5

## SECTION 7 • OPTIONS & ACCESSORIES

1. Boat Layout and Accessory Locations .....	7.1
2. Aft Seat .....	7.2
3. Control Station Seating .....	7.2
4. 12 Volt Receptacle .....	7.2
5. Magnetic Compass (Optional) .....	7.2
6. Entertainment System .....	7.2
7. Navigation and Anchor Lights .....	7.3
8. Water Sports Tower (Optional) .....	7.3
9. Swim Platform and Ladder .....	7.4
10. Fire Extinguisher Port .....	7.4
11. Canvas .....	7.4
A. Installation Tips .....	7.5
B. Trailering with Canvas .....	7.6
C. Canvas Care and Maintenance .....	7.6

## SECTION 8 • REQUIRED INSPECTION, SERVICE AND MAINTENANCE

1. Summary Guide for Inspection, Service and Maintenance .....	8.1
2. Inspection, Service and Maintenance Protocol .....	8.3
A. Bilge Area .....	8.3
B. Topside and Supplies .....	8.4
3. Winterization Checklist for Boats Stored on Land ...	8.4
A. Boat Storage .....	8.4
B. Engines .....	8.4
C. Battery .....	8.4
F. Fuel System .....	8.4
4. Fitting Out After Storage .....	8.5
A. Fuel System .....	8.5
B. Battery .....	8.5
C. Miscellaneous .....	8.5
5. Security Considerations .....	8.5
6. Power Steering System Maintenance .....	8.5

## SECTION 9 • CARE & REFINISHING

1. Paint, Cleaning Agents & Other Substances .....	9.1
2. Fiberglass & Gelcoat .....	9.1
3. Stains & Scratches .....	9.1
4. Permanently Moored or Docked Boats .....	9.2
5. Topside Areas .....	9.2
A. Stainless Steel and Alloy Fittings .....	9.2
B. Salt Crystals .....	9.2
6. Acrylic Plastic Sheeting (Plastic Glass) .....	9.2
7. Canvas and Clear Vinyl .....	9.2
8. Exterior Upholstery Fabric .....	9.3
9. Interior Upholstery Fabric .....	9.3

## INDEX



Information in this publication is based upon the latest product specifications available at printing. Sea Ray® Boats, Inc. reserves the right to make changes at any time, without notice, in the colors, equipment, specifications, materials and prices of all models, or to discontinue models. Should changes in production models be made, Sea Ray® is not obligated to make similar changes or modifications to models sold prior to the date of such changes.

205 Sport Owner's Manual  
Printed in the U.S.A October 2003, Revised March 2004, August 2004, August 2005  
© Sea Ray Boats, Inc. • A Brunswick Company  
**MRP #1803628**

The following are registered trademarks of the Brunswick Corporation: Sea Ray® & The SR Wave Logo



---

# SECTION 1 • SAFETY

---

## SAFE boating means:

- Knowing the limitations of your boat;
- Following the “rules of the road”;
- Keeping a sharp lookout for people and objects in the water;
- Not boating in water or weather conditions that are beyond the boat’s and the operator’s capability;
- Never boating when the operator is under the influence of drugs or alcohol;
- Being aware of your passengers’ safety at all times; and
- Reducing speed when there is limited visibility, rough water, nearby people in the water, boats, or structures.

Boating in beautiful weather and calm water conditions can be a wonderful experience. Pleasurable boating, however, requires considerably greater skills than operating a land vehicle. To obtain these skills, you must:

- Take a Coast Guard, U.S. Power Squadron or equivalent boating safety course. **Call the Boat/U.S. Foundation at 1-800-336-2628 for information on available courses.**
- Get hands-on training on how to operate your boat properly.

In addition:

- Maintain your boat and its safety and other systems as recommended in this manual.
- Have the boat inspected by a qualified mechanic or dealer, at least annually.
- Ensure that the Coast Guard required safety equipment is on board and functions. (See page 1.2).

## 1. SAFETY LABELS

Safety precautions are given throughout this manual and labels are mounted at key locations throughout the boat. This safety information advises the owner/operator and passengers of imperative safety precautions to follow when operating and/or servicing equipment.

- Figure 1.17.1 shows the location of the safety labels on your boat.
- Do not remove or obstruct any safety label.
- Replace any label which becomes illegible. Replacement safety labels can be obtained by calling your dealer or Sea Ray at 1-800-SRBOATS for information on how to contact the manufacturing facility for your boat.

The meaning associated with each of the four basic types of label is:

### DANGER

**DANGER** – Immediate hazards which **WILL** result in severe personal injury or death if the warning is ignored.

### WARNING

**WARNING** – Hazards or unsafe practices which **COULD** result in severe personal injury or death if the warning is ignored.

### CAUTION

**CAUTION** – Hazards or unsafe practices which could result in minor injury or product or property damage if the warning is ignored.

### NOTICE

Information which is important to proper operation or maintenance, but is not hazard-related.



---

# SECTION 1 • SAFETY

---

## 2. LEGALLY MANDATED MINIMUM REQUIRED EQUIPMENT

**Consult your national boating law enforcement agency.**

The following equipment is the minimum required by the U.S. Coast Guard for a boat less than 26' [7.9 meters] in length.

**Personal Flotation Devices (PFD's):** One Coast Guard approved Type I, II or III device is mandatory for each person aboard. One throwable Type IV device is also required to be on board. A Type V device is acceptable if worn for approved use. See Page 1.4 for a description of these PFD classifications. **Always wear a PFD when boating.**

**Fire Extinguisher - Portable:** If no fixed fire extinguishing system is installed in the engine and generator spaces, the U.S. Coast Guard requires **one (1) Type B-1** fire extinguisher be on board. The American Boat and Yacht Council (ABYC) recommends that you have **two (2) Type B-1 ABC** fire extinguishers on board. One is to be located at the helm station and the other in the cabin, near the cockpit door.

**Whistle, Horn:** You must have on board some means of making a loud sound signal, for example, whistle or horn.

**Visual Distress Signals:** If you operate your boat in coastal waters or on the Great Lakes, you must have visual distress signals for day and night use on board. At least three (3) U.S. Coast Guard approved pyrotechnic devices marked with date showing service life must be carried, be readily accessible, in serviceable condition and not expired. Store pyrotechnic signals in a well-marked waterproof container in a dry location.

**Other:** Your Sea Ray is equipped with the required navigation lights, engine exhaust and ventilation systems.

## 3. FIRE EXTINGUISHING SYSTEM

Your boat must be equipped with the fire extinguishing equipment mandated by the U.S. Coast Guard. Your boat is equipped with a fire extinguisher discharge port located on the sunpad bulkhead under the aft seat (page 7.4).

**IF A FIRE IS SUSPECTED, IMMEDIATELY SHUT DOWN ALL ENGINES, POWERED VENTILATION, ELECTRICAL SYSTEMS AND EXTINGUISH ALL SMOKING MATERIALS.**

**IF THERE IS A FIRE IN THE ENGINE COMPARTMENT DO NOT OPEN THE ENGINE BOX. THIS WOULD FEED OXYGEN TO THE FIRE AND THE FIRE COULD RESTART.**

**DISCHARGE PORTABLE FIRE EXTINGUISHER THROUGH THE DISCHARGE PORT ON THE ENGINE BOX.**

Wait at least fifteen (15) minutes before opening the engine compartment. This gives the compartment long enough for hot metals and fuels to cool. Have portable extinguishers at hand and ready to use in case the fire reignites. Do not breathe fumes or vapors caused by the fire.

## 4. CARBON MONOXIDE

Symptoms of carbon monoxide poisoning are dizziness, ears ringing, headaches, nausea and unconsciousness. A poisoning victim's skin often turns cherry red. Because carbon monoxide gas (CO) is odorless, colorless and tasteless, it is unlikely to be noticed until a person is overcome.

### DANGER

**Fumes from engine, generators, and other equipment and appliances using burning fuel contain carbon monoxide.**

**Carbon Monoxide can kill you.**

**Open all doors, curtains, windows, and hatches to let fresh air circulate, when running engine, generator or burning any fuel when boat is anchored, moored or docked.**



# SECTION 1 • SAFETY

## ! DANGER

Even in rainy cold weather ventilation must be maintained to avoid Carbon Monoxide poisoning. You will get wet and/or cold.

## ! DANGER

Sleeping on boat requires a operating Carbon Monoxide detection system in each sleeping location.

Dangerous concentrations of carbon monoxide will be present if:

- the engine and/or generator exhaust systems leak;
- insufficient fresh air is circulating where people are present; and
- fumes move from the rear of the boat into the cockpit and cabin area.

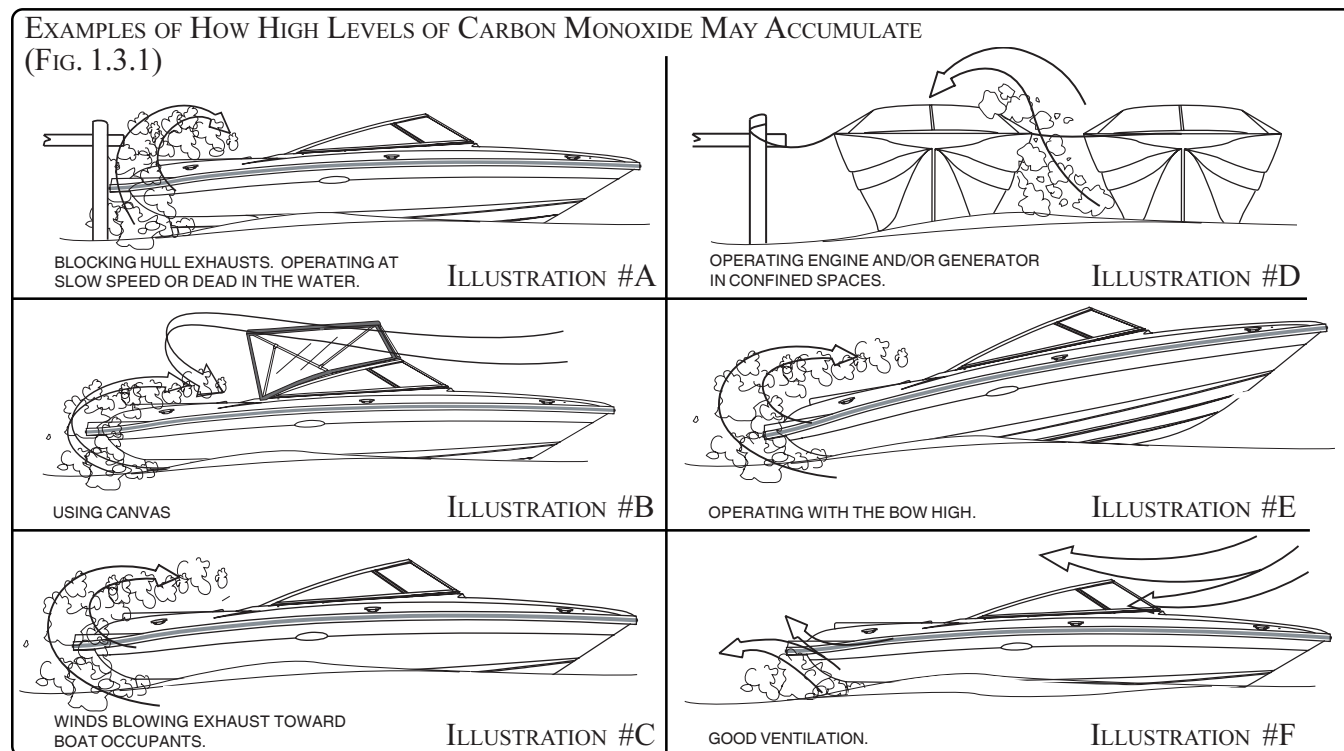
Figure 1.3.1 gives examples of boat operating conditions that can lead to high concentrations of carbon monoxide gas.

To minimize the danger of CO accumulation when the engine and/or generator are running, or using

burning fuel applications.

- Be sure to have sufficient ventilation when using canvas or window-type side curtains when underway, anchored, moored or docked.
- If the bimini/convertible top is installed, operate with the front panel open.
- Operate all burning fuel appliances, such as charcoal, propane, LPG, CNG or alcohol cooking devices in areas where fresh air can circulate. Do not use such devices where there is no noticeable air movement, when anchored, moored or docked.
- Do not idle engine without moving boat for more than 15 minutes at a time.
- Inspect the exhaust system regularly. (See Section 8, Required Inspection, Service and Maintenance.

If CO poisoning is suspected, have the victim breath fresh air deeply. If breathing stops, resuscitate. A victim often revives, then relapses because organs are damaged by lack of oxygen. Seek immediate medical attention.



# SECTION 1 • SAFETY

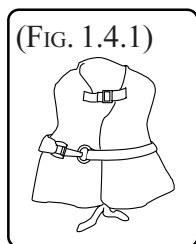
## 5. LIFESAVING EQUIPMENT

Even strong swimmers can tire quickly in the water and drown due to exhaustion, hypothermia, or both. The buoyancy provided by a personal flotation device (PFD) will allow the person who has fallen overboard to remain afloat with far less effort and heat loss, extending survival time necessary to find and retrieve them.

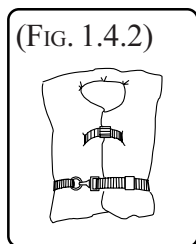
Boat operators are required to carry one wearable personal flotation device (Type I, II, III or V) for every person on board. Boats must also have at least one throwable device (Type IV).

The law requires that PFD's must be readily accessible, if not worn. "Readily accessible" means removed from storage bags and unbuckled. But, children and nonswimmers must wear PFDs at all times when aboard. It is common sense to have everyone on board wearing PFDs. A throwable device must also be right at hand and ready to toss.

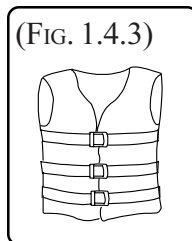
### A. PFD CLASSIFICATIONS



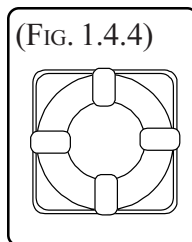
Off-Shore Life Jacket (Type I) – most buoyant, it is designed to turn an unconscious person face up; used in all types of waters where rescue may be slow, particularly in cold or rough conditions.



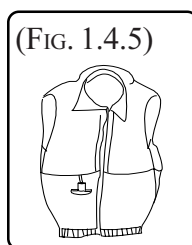
Near-Shore Life Vest (Type II) – "keyhole" vest with flotation-filled head and neck support is also designed to turn a person face up, but the turning action is not as pronounced; used in calm, inland waters or where quick rescue is likely.



Flotation Aid (Type III) – vest is designed so conscious wearers can turn face up; often designed for comfort while engaged in sports such as skiing.



Throwable Devices (Type IV) – horseshoe buoys, ring buoys and buoyant cushions are designed to be grasped, not worn.



Special-Use Devices (Type V) – sailboat harnesses, white-water vests, float coats, and hybrid vests which have minimum inherent buoyancy and an inflatable chamber.

Before purchasing PFDs, ensure that there is an attached tag indicating they are approved by the U.S. Coast Guard or by your national boating law enforcement agency.

**Children and nonswimmers must wear PFDs at all times when aboard.** All passengers and crew should wear them. A loose PFD is often useless in an emergency.

The operator is responsible for instructing everyone aboard on the location and use of PFDs.

Size PFDs for the wearer. Children require special attention in the use of PFDs.

Test PFD buoyancy at least once a year.



---

# SECTION 1 • SAFETY

---

## 6. ADDITIONAL RECOMMENDED EQUIPMENT FOR SAFE OPERATION

In addition to legally mandated equipment, the following items are necessary for safe boating, especially if your boat is out of sight of land.

- First aid kit
- Visual distress signals for day and night use (required in some areas; consult local regulations)
- Charts of your intended cruising area
- Compass
- GPS or Loran position locating devices
- Marine VHF radio with weather channels
- Emergency position-indicating radio beacon (EPIRB)
- Manual bilge pump
- Moisture repellent
- Anchors, chain and line (The anchors must be properly sized for your boat. Ask your dealer or marine supply store for recommendations).
- Mooring lines
- Fenders
- Boat hook
- Waterproof flashlight(s)
- Extra batteries for flashlights and portable electronic devices
- High power spotlight, if you intend to boat at night
- Spare keys
- Instruction manuals for engine and accessories
- Lubricating oil
- Tool kit:
  - Assorted screwdrivers (Phillips and flat blade)
  - Pliers (regular, vise-grip, and tongue & groove)
  - Wrenches (box, open-end, allen, adjustable)
  - Socket set (metric or U.S. Standard as appropriate)
  - Electrical tape and duct tape

- Hammer
- Utility Knife

- Spare parts kit (spark plugs, fuses, hose clamps and ask your dealer to recommend other parts)
- Extra propeller

## 7. IMPAIRED OPERATION

Drugs and/or alcohol will prevent you from operating your boat safely. This single factor is involved in more marine accidents and deaths than any other. The detrimental effects of alcohol and drugs are increased by the wind, waves and sun, quickly impairing your ability to react properly and promptly in an emergency.

### WARNING

Drugs and/or alcohol impair the operator's ability to control the boat safely.

Death or serious injury can result from improper boat operation.

## 8. LOAD CAPACITY

The certification plate (See figure 1.6.1) located near the helm indicates maximum weight and number of persons your boat can handle under calm sea conditions. **Do not exceed the load capacities stated.** The number of people on board must be reduced if you go out in poor weather and rough water.

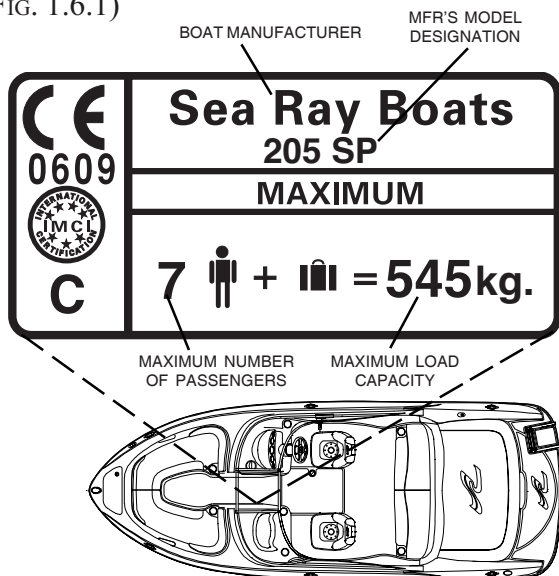
The information present on the certification plate does not relieve the operator from responsibility. Use common sense and sound judgement when placing equipment and/or passengers in your boat.

- Do not load to capacity in poor weather or rough water.
- The number of seats does not indicate how many people a boat can carry in poor weather and rough water.
- Above idle speed, all passengers must be seated on the seats provided.



# SECTION 1 • SAFETY

BUILDER'S PLATE (INTERNATIONAL)  
(Fig. 1.6.1)



## ⚠ WARNING

When engine is running, keep passengers away from areas not designed for riding, such as seat backs, bow, gunwales, transom platform, swim platform, front and rear decks and on sun pads.

Passengers can fall overboard if not seated properly on the seats provided.

BUILDER'S PLATE (DOMESTIC)  
(Fig. 1.6.2)



## ⚠ DANGER

Never carry more weight or passengers than indicated on the certification plate, regardless of weather or water conditions.

The boat can capsize, swamp or sink.

## 9. POWER CAPACITY

Do not exceed the maximum engine power rating stated on the certification plate. Your boat will be difficult to handle and will be less stable.

Your Sea Ray® has been equipped with a propeller which our tests have shown to be the best suited for general use with our engine under normal conditions and load. Do not change the pitch of your propeller without getting your dealer's recommendations first. If you change to a different propeller pitch, **under no circumstances use a propeller which allows the engine to operate at higher than recommended RPM.** (your engine manual specifies the maximum recommended (RPM)).

To maintain rated power, propellers should be free of nicks, excessive pitting and any distortions that alter them from their original design. Badly damaged propellers should be replaced, but those that are chipped, bent or merely out of shape can be reconditioned by your marine dealer.

It is advisable to carry an extra propeller aboard in case you damage the one in use.

## 10. STABILITY

Your boat was manufactured to specific stability and flotation standards for the capacity shown on the certification plate. Any increase from the recommended load capacities will put your boat in jeopardy of capsizing, swamping and/or sinking.

### IN ADDITION:

- Stability may be substantially reduced if equipment is added above the deck.





---

# SECTION 1 • SAFETY

---

- Stability is substantially reduced by loose fluids or weight within the hull. Keep bilge area as dry as possible, and close all openings, hatches and windows in rough weather.

## WARNING

Distribute passengers and gear as uniformly as possible from front to rear and left to right.

The manufacturer's load rating is the maximum allowed under calm conditions.

Reduce boat loading if weather, water or other conditions are adverse.

## 11. MAINTAIN CONTROL

On the water there are no marked traffic lanes, no traffic signs or lights, and boats have no turn signals. The boat operator must keep his or her attention focused not only on what's ahead but what's on the left, right and behind the boat.

The operator must always be alert to approaching boats (from the rear, right and left sides, as well as those ahead). There can be people in the water, partially submerged debris, and other navigational hazards such as rocks, sand bars, dangerous currents, to name a few.

Your passengers are relying on you to operate and maneuver the boat safely so that they are not in danger of going overboard. If you turn too quickly, increase or decrease speed abruptly, your passengers are at risk of being thrown overboard or thrown about the boat.

When visibility becomes impaired because of weather, time of day or high bow angle you must slow down so that you have sufficient time to react if an emergency occurs. Nearby boats face similar risks in avoiding a collision with you.

## WARNING

Death or serious injury can result if you fail to observe these safety rules:

- **Anyone who controls the boat must have taken a boating safety course and have trained in the proper operation of the boat.**
- **Always operate the boat at speeds that will not put people or property in danger.**
- **Be constantly aware of conditions in all directions when underway and before turning.**
- **Reduce speed, use a lookout to identify possible hazards or difficulties, and turn on navigation lights when:**
  - **visibility is impaired;**
  - **in rough water; and**
  - **in congested waterways.**
- **Watch your wake. It can capsize a small boat or damage moored boats or other property. You are responsible for damage caused by your wake.**

## A. GENERAL CONSIDERATIONS

- Know how your boat handles under different conditions. Recognize your limitations and the boat's limitations. Modify speed in keeping with weather, sea and traffic conditions.
- Instruct passengers on location and use of safety equipment and procedures.
- Instruct passengers on the fundamentals of operating your boat in case you are unable to do so.
- You are responsible for passenger's actions. If they place themselves or the boat in danger, immediately correct them.



---

# SECTION 1 • SAFETY

---

Observe the safety rules listed below.

## 12. WEATHER

There are four design categories of boats based upon their ability to withstand wind and sea or water conditions:

### A. Ocean

Wind speed: above 40 knots (46 mph)  
Wave height: above 4 meters (13 feet)  
Boat may be used for extended ocean voyages.

### B. Offshore

Maximum wind speed: 40 knots (46 mph)  
Maximum wave height: 4 meters (13 feet)  
Boat can be used offshore, but not for extended ocean voyages.

### C. Inshore

Maximum wind speed: 27 knots (31 mph)  
Maximum wave height: 2 meters (6.5 feet)  
Boat use is limited to coastal waters, large bays, estuaries, lakes and rivers.

### D. Sheltered waters

Maximum wind speed: 15 knots (18 mph)  
Maximum wave height: 0.5 meters (1.5 feet)  
Boat use is limited to small lakes, rivers and canals.

### Your 205 Sport is Design Category C.

The wind speed and wave height specified as the upper limit for your category of boat does **not** mean that you or your passengers can survive if your boat is exposed to these conditions. It is only the most experienced operators and crew that may be able to operate a boat safely under these conditions. You must always be aware of weather conditions and head for port or protected waters in sufficient time to avoid being caught in high winds and rough water. **Do not take chances!**

Getting caught in severe weather is hazardous. Bad weather and/or rough sea or water conditions can cause an unsafe situation. Consult local weather information, or listen to the NOAA weather reports

## DANGER

DO NOT ATTEMPT TO BOAT IN  
SEVERE WEATHER CONDITIONS

DEATH OR SERIOUS INJURY CAN OCCUR

GET TO SHORE BEFORE  
THE WEATHER TURNS BAD

for the latest weather conditions or any impending deterioration of the weather before setting out and while underway. Following are a few basic weather-related rules:

- Check the weather forecast and the water conditions before leaving and while underway.
- A sudden change in wind direction or speed or an increase in wave height indicates deteriorating weather.
- Have everyone wear a personal flotation device.
- If a storm approaches, immediately seek a safe harbor.
- If a storm hits, have everyone sit in the cabin or on the cockpit deck in the boat. Head the bow into the wind with enough power to maintain slow headway.
- If you encounter fog, determine your position, set a safe course, slow down and alert other boats of your presence with a sound signal.
- If a lightning storm approaches, the safest action is to dock and disembark. If you cannot return to shore, have passengers go **inside** the cabin and remain there until the storm passes.
- Lightning seeks a ground when it strikes. The best protection is a properly grounded lightning rod placed high enough over the deck to provide a protective umbrella over the hull. Depending upon the likelihood of your being in a lightning storm, consult your dealer for installation of a lightning rod. Stay clear of the lightning rod, all attached wiring and all metal parts of the boat.



---

## SECTION 1 • SAFETY

---

- Stay out of the water during a lightning storm. If caught swimming during a storm, get back into the boat and remain there until the storm passes.

### 13. CHART YOUR COURSE

#### WARNING

Hitting an object in or under the water or boating in dangerous currents can cause serious injury or death to boat occupants.

You must know where the hazards are and avoid them.

In uncharted waters, boat very slowly and post a lookout.

To avoid boating in unsafe areas where there are underwater obstructions, shallow water, unnavigable conditions such as dangerous currents, and others, **you must chart a course.** This means having and using the National Oceanic and Atmospheric Administration (NOAA) charts for coastal waters, observing and understanding all navigational aids, using the knowledge and guidance of experienced boaters, and being aware of the tide times where appropriate.

#### WARNING

Shut engine off if an object is struck or if you run aground.

Check for hull leaks and drive line damage, before restarting engines.

Use hand pump if bilge pumps don't remove water.

Boat very slowly, if you must proceed with a damaged drive line.

If you are in an unfamiliar area without knowledge of the hazards, proceed very slowly and have someone watch for hazards.

**Let others know where you are going.** A float plan describes your intended cruising course and itinerary, boat description, and your expected time and date of return. Give the float plan to a friend or

relative, so they can give the information to a national boat agency, like the U.S. Coast Guard, in the event you fail to return.

### 14. WATER SPORTS

#### WARNING

Your boat can kill or injure persons in the water.

Always stay away from areas designated for swimming or diving. Unless you are towing a skier, stay away from water ski areas. Recognize markers used for such areas.

When engine is running, close and lock transom door and do not permit anyone to use boarding ladder and swim platform.

#### A. SWIMMING

- Do not permit anyone to swim from a moving boat, or a boat with an engine running.
- Many localities prohibit swimming from boats except in designated areas.
- Make sure boat's engines are turned off before allowing people to swim anywhere near your boat. Shut the engine OFF and remove the key from the ignition switch so that nobody will accidentally start the engine while swimmers are nearby.
- Turn off engines when taking swimmers or skiers aboard or when they are entering the water. Never permit use of the transom or swim platform while engines are running.
- Slow down and look for swimmers or skiers when cruising in an area where there might be persons in the water.



# SECTION 1 • SAFETY

## B. SKIING

### ! WARNING

Skiers must wear an approved PFD.

It is advised that you become familiar with water skiing safety and hand signals as you will most likely, on occasion, find yourself in the vicinity of or engaging in water skiing activity.

- Anyone who water skis must know how to swim.
- Never drive the boat directly behind a water skier. At 22 knots (25 m.p.h.), it takes only 5 seconds to overtake a fallen skier who was 60 meters (200 feet) in front.
- Keep a downed skier in sight and on the operator's side of the boat when approaching the skier. Never back up to anyone in the water.
- Learn the signals to communicate with a skier. The skier is to control the boat through hand signals (Fig. 1.10.1).

**Turn** – Arm raised, circle with index finger extended.

**Skier in Water** – Extend one ski vertically out of water.

**Back to Dock** – Pat top of head.

**Cut Motor** – Draw finger across throat.

**Slow Down** – Thumb pointed down or palm down, move hand up and down.

**Faster** – Thumb pointed up or palm up, move hand up and down.

**OK** – Raise arm and form a circle with thumb and index finger.

**Stop** – Raise arm with palm vertical and facing forward.

**Turn Right** – Extend arm out from body to the right.

**Turn Left** – Extend arm out from body to the left.

**OK After a Fall** – Clasp hands together overhead.

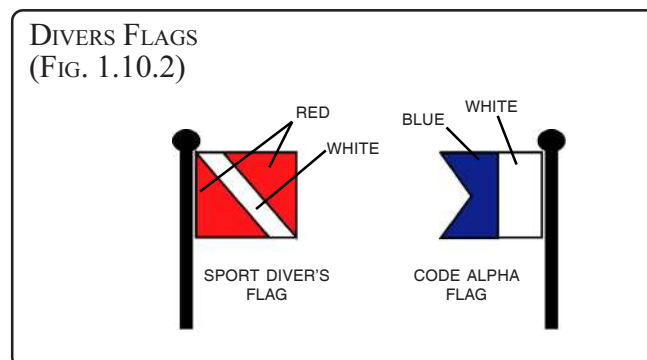
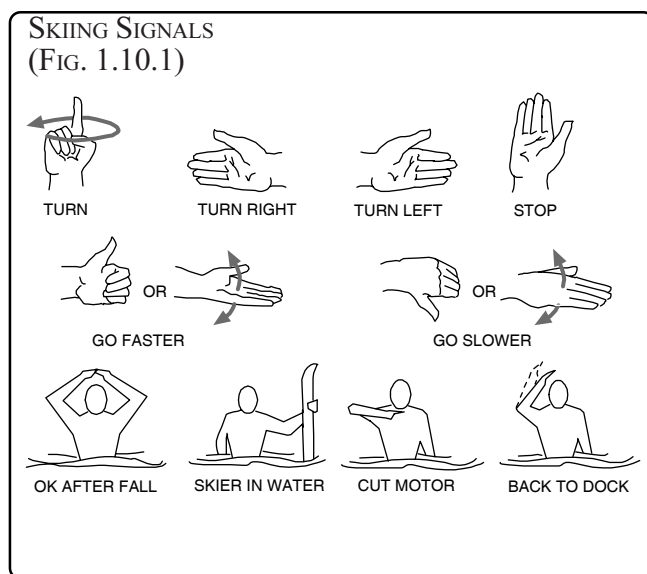
- If the skier suddenly releases the tow rope, it can backlash into cockpit. Spotters who are watching the skier must be aware of this fact and be prepared to deflect the rope by hand to avoid injury.

## C. DIVING

- Recognize and respect diving flags (Fig. 1.10.2). Keep at least 30 meters (100 feet) away.

**Sport Divers Flag** – Red flag with diagonal white stripe marks a diver in the water.

**Code Alpha Flag** – Blue and white pennant designates boat being used in dive operations.



---

# SECTION 1 • SAFETY

---

## IN GENERAL

When engaged in water sports, be safe and courteous to others sharing the water:

- Be considerate to fishermen.
- Do not water ski in congested areas.
- Keep the boat and skier away from navigation markers.
- Stay well clear of other boats and skiers.

## 15. EMERGENCY SITUATIONS

Prevention is the safest approach. We hope that you are never involved in an emergency situation.

If you are involved in an emergency situation, it is imperative that you know how to react, in order to protect the lives in your care.

### ASSISTING OTHER BOATERS

All boaters have a legal obligation to help other boaters who are in distress, as long as rendering assistance does not endanger you, your passengers or your boat.

#### A. MEDICAL EMERGENCY

You may be far from professional medical help when you are boating. At least two people on board your boat should be CPR certified, and should have taken a first aid course. Equip your boat with a first aid kit.

#### B. WATER RESCUE

A person who has fallen overboard will die from hypothermia in water temperatures below 70°F if not rescued quickly. Water rescue consists of three steps: returning to the victim, making contact with the victim, and getting the victim back on board.

##### RETURNING TO THE VICTIM

- Immediately make everyone aware of the incident and keep the victim in sight.

- Slow the boat and keep pointing toward the person overboard. At night, direct the best available light source at the person.
- Throw a life preserver, even if the person is wearing a PFD. It will serve as another marker.

##### MAKING CONTACT

- Stop or slow the boat and circle toward the victim.
- Try to approach heading into the wind or into the waves.
- Keep the victim constantly in sight.
- When almost alongside, stop the engine in gear to prevent propeller “windmilling.”

##### GETTING BACK ABOARD

- Try to reach the victim with a pole, or by throwing a life preserver. Do not swim to rescue the victim, except as a last resort.
- Assist the person in boarding the boat. The person should normally be brought in over the stern.
- If the person is injured or cannot get into the boat, a rescuer should put on a PFD with a safety line attached to the boat and enter the water to assist the victim.
- Handle the victim with care. Spinal injuries may have occurred.

#### C. FIRE

Fire is a serious boating hazard. Boats will burn quickly. Do not remain on board and fight a fire for more than a few minutes. If the fire cannot be extinguished within a few minutes, abandon the boat.

Have fire extinguishers handy. A small fire can be extinguished quickly with the right size and type of fire extinguisher.

- Extinguish smoking materials, shut off blowers, stoves, engines and generators.



---

# SECTION 1 • SAFETY

---

- Throw burning materials overboard, if possible.
- If the fire is accessible, empty the contents of fire extinguishers at the base of the fire.
- If the fire is in the engine compartment and you have an automatic extinguisher for the engine, wait 15 minutes before opening the compartment. Have a portable extinguisher ready in case the fire flares up.
- Signal for help.
- Grab distress signals and survival gear. Put on PFDs. Prepare to abandon ship.
- Stay with the boat.
- Signal for help.
- If a leak patch is attempted, it should be done from the outside.
- In the event of a collision, you are required to file an accident report. Contact a state enforcement agency or the nearest Coast Guard office. If you are boating outside of U.S. waters, consult the nation you are visiting for accident reporting requirements.

## D. FLOODING, SWAMPING AND CAPSIZING

In the event of flooding, swamping or capsizing:

- Try to shut off engines, generators and blowers, before leaving the boat.
- Have everyone put on Personal Flotation Devices (PFD's).
- Account for all who were on board.
- If the boat is floating stay with the boat. Hang on, or climb on the boat and signal for help.
- Only as a last resort should you attempt to swim to shore - it is further away than it looks and you can tire and drown.

## E. COLLISIONS AND LEAKING

In the event of collision and leaking:

- Slow down or stop to reduce water intake, unless maintaining speed will keep the hole above water.
- Switch on bilge pumps.
- If equipped, operate the manual bilge pump if the powered bilge pumps can't handle the water flow.
- Account for everyone on board and check for injuries.
- Have everyone put on PFDs.

## F. GROUNDING

In the event of running aground:

- Check for leaks. If water is coming in, stop the intake of water before attempting to get the boat free.
- Inspect for damage to the hull, propulsion and steering systems.
- Determine if the tide, wind and current will drive the boat harder aground or will help to free it.
- Determine the water depth all around the boat, and the type of bottom (sand, mud, rocks, etc.). If it can be done without exposing persons to risk of injury, the boat should be moved away from hard obstructions and toward open water with soft ground.
- Do not attempt to have your boat towed by other than a trained and competent service, such as the Coast Guard or a salvage company. Recreational craft are not designed to tow other recreational craft.

## G. PROPULSION, CONTROL OR STEERING FAILURE:

If the drive train fails, or controls or steering do not respond properly at all:

- Shut off engine.
- Put out the anchor to prevent drifting.



---

## SECTION 1 • SAFETY

---

- Determine whether or not you can repair the problem yourself. See the proper manuals for assistance in troubleshooting the engine, steering and engine controls.
- If you are not sure you can fix the problem, or if conditions are adverse, signal for help.

### 16. SAFETY HOTLINES

The safety information in the preceding pages gives only the general areas of concern for boating safety. It is not intended to be, nor can it be, exhaustive. You must take a boating safety course, and get hands-on instruction in the proper and safe operation of your boat from experienced persons before cruising.

The U.S Coast Guard offers many pamphlets on safety and other information not covered in this book. Contact your local Coast Guard unit or call the toll-free safety hotlines below for information.

- U.S. Coast Guard 1-800-368-5647
- Canadian Coast Guard 1-800-267-6687

In other countries, ask your marine dealer for information on how to contact the national boating law enforcement agency.

### 17. INTERNATIONAL REQUIREMENTS

This vessel and its systems have been constructed in accordance with standards and specifications in effect at the time of manufacture as published by the various regulatory authorities listed below.

1. Ministere De La Mer - France
2. Registro Italiano Navale - Italy
3. Det Norske Veritas - Norway
4. Securite des Nauires - Canada
5. J.C.I. (Japan Craft Inspection) - Japan
6. N.K.K. (Nippon Kaiji Kyokai) - Japan
7. B.S.I. (British Standards Institute) - England
8. Ministerio Obras Publicas Y Transporters - Spain

9. EC Recreational Craft Directive - European Community.

Further information concerning these requirements may be obtained from Sea Ray® Customer Service: 1-800-SRBOATS.

### 18. ENVIRONMENTAL CONSIDERATIONS

The following warning is offered for boats sold in the State of California in accordance with California Health & Safety Code §§ 25249.5-.13:

#### WARNING

A wide variety of components used on this vessel contain or emit chemicals known to the State of California to cause cancer and birth defects and other reproductive harm.

#### EXAMPLES INCLUDE:

- Engine and generator exhaust
- Engine and generator fuel, and other liquids such as coolants and oil, especially used motor oil
- Cooking fuels
- Cleaners, paints, and substances used for vessel repair
- Waste materials that result from wear of vessel components
- Lead from battery terminals and from other sources such as ballast or fishing sinkers

#### TO AVOID HARM:

- Keep away from engine, generator, and cooking fuel exhaust fumes.

#### A. FUEL AND OIL SPILLAGE

Regulations prohibit discharging fuel or oily waste in navigable waters. Discharge is defined as any action which causes a film, sheen or discoloration on the water surface, or causes a sludge or emulsion beneath the water surface. A common violation is bilge discharge. Use rags or sponges to soak up fuel or oily waste, then dispose of it properly ashore. If there is much fuel or oil in the



---

# SECTION 1 • SAFETY

---

bilge, contact a knowledgeable marine service to remove it. Never pump contaminated bilge overboard. Help protect your waters.

Fill tank(s) less than rated capacity. Allow for fuel expansion.

## B. WASTE DISPOSAL

- Many areas prohibit overboard sewer discharge. Close and disable flow-through waste systems to prevent discharge in such areas.
- Bag all refuse until it can be disposed of ashore. Regulations prohibit disposal of plastic anywhere in the marine environment and restrict other garbage disposal within specified distances from shore.

### NOTICE

- There is a possibility of being fined for having an operable direct overboard discharge of waste in some waters. Removing seacock handle, in closed position, or other means must be used to avoid fine.
- It is illegal for any vessel to dump plastic trash anywhere in the ocean or navigable waters of the United States.

### ! CAUTION

#### FOR BOATS WITH VACUFLUSH® HEADS ONLY

Do not place facial tissues, paper towels or sanitary napkins in head. Such material can damage the waste disposal system and the environment.

## C. EXCESSIVE NOISE

Many areas regulate noise limits. Even if there are no laws, courtesy demands that boats operate quietly.

## D. WAKE / WASH

### ! WARNING

**SPEED HAZARD - Watch your wake. It might capsize a small craft. You are responsible for damage caused by your wake.**

Power boat wakes can endanger people and vessels. Each power boat operator is responsible for injury or damage caused by the boat's wake. Be especially careful in confined areas such as channels or marinas. Observe "no wake" warnings.

### ! CAUTION

Reduce speed in congested waterway.

Be alert for No Wake markers.





---

## SECTION 1 • SAFETY

---

### 19. NAUTICAL TERMS

**Abeam** – object 90 degrees to center line on either side of boat.

**Abaft** – a point on a boat that is aft of another.

**Aft** – toward the rear or stern of the boat.

**Beam** – the width of a boat.

**Bow** – the fore part of a boat..

**Bow Eye** – Bolt with looped head mounted on extreme forward part of bow.

**Bulkhead** – vertical partition in a boat.

**Chine** – meeting juncture of side and bottom of boat.

**Chock** – deck fitting, used as guides for mooring or anchor lines. Also, a wedge to stop wheels from rolling.

**Cleat** – deck fitting with arms or horns on which lines may be made fast.

**Cockpit** – an open space from which a boat is operated.

**Deck** – upper structure which covers the hull between gunwales.

**Draft** – depth of water required to float boat and its propulsion system.

**Fathom** – six feet.

**Fenders** – rope or plastic pieces hung over the side to protect the hull from chafing.

**Freeboard** – height of exposed hull from water line to deck.

**Ground tackle** – general term referring to anchors, anchor lines, etc.

**Gunwale** (pronounced gun'l) – meeting juncture of hull and deck.

**Hatch** – an opening in deck to provide access below.

**Head** – toilet or toilet area in a boat.

**Headroom** – vertical distance between the deck and cabin or canopy top.

**Helm** – steering console.

**Hull** – the basic part of a boat that provides buoyancy to float the weight of the craft and its load.

**Keel** – the major longitudinal member of a hull; the lowest external portion of a boat.

**Knot** – unit of speed in nautical miles per hour.

**Lee** – the side that is sheltered from the wind.

**PFD** – Personal Flotation Device; life preserver.

**Port** – term designating left side of the boat.

**Rudder** – Movable fixture at the stern used for steering.

**Scupper** – hole permitting water to drain overboard from deck or cockpit.

**Sheer** – curve or sweep of the deck as viewed from the side.

**Snub** – to check or tighten a line suddenly.

**Starboard** – term designating right side of the boat

**Stern** – the aft end of a boat.

**Stern drive** – outboard unit of an inboard/outboard (I/O) engine installation.

**Stringer** – longitudinal members fastened inside the hull for additional structural strength.

**Transom** – transverse part of stern.

**Wake** – disturbed water that a boat leaves behind as a result of forward motion.

**Windward** – toward the direction from which the wind is blowing.



# SECTION 1 • SAFETY

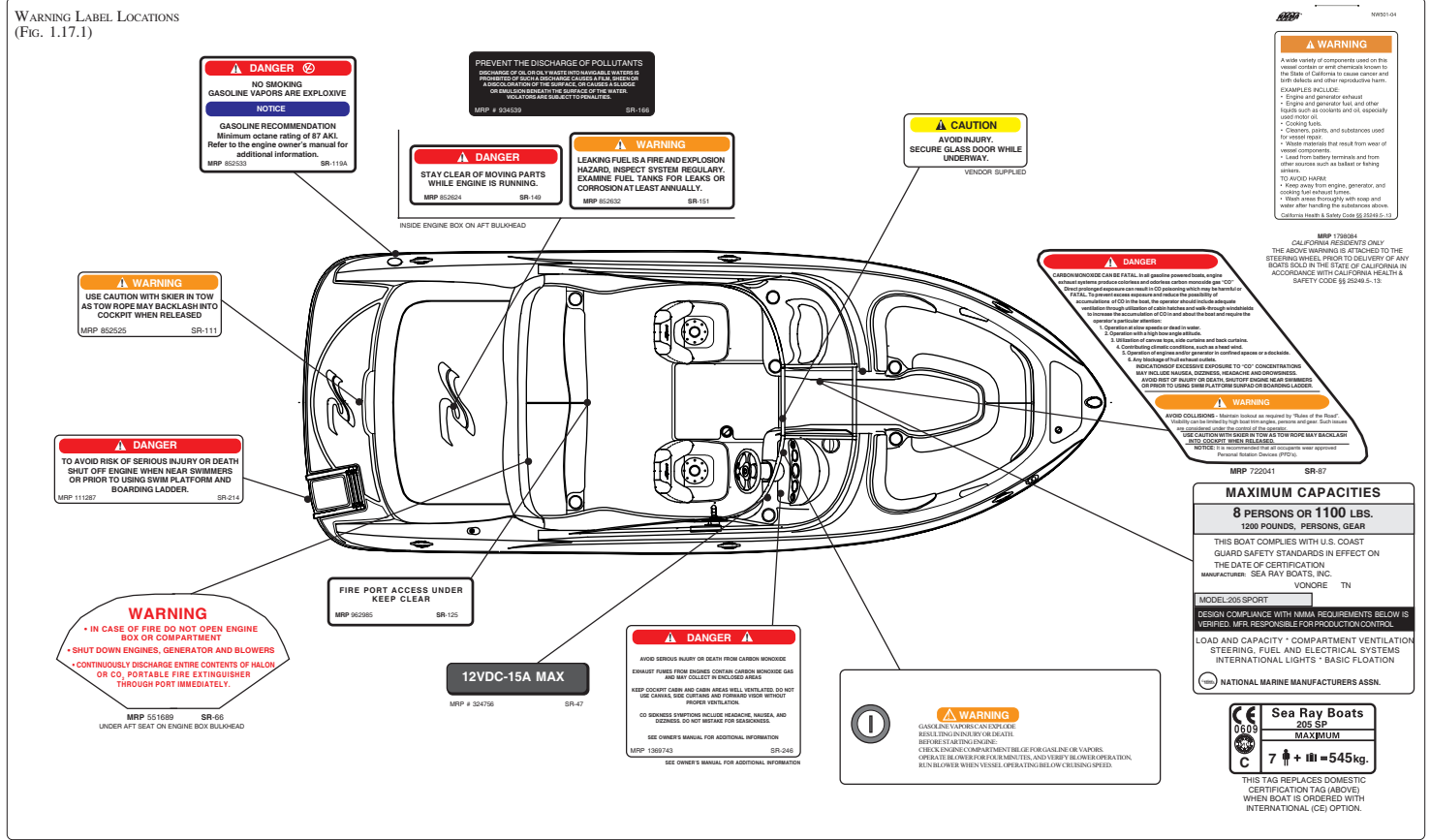
## 20. KEY TO SYMBOLS ON CONTROLS & PRINTS

These symbols may be found on your controls and gauges and/or used in this owner's manual. This page is to help you understand what the symbols mean.

 PROPULSION SYSTEM TRIM	 PROPULSION SYSTEM TRIM BOW UP	 PROPULSION SYSTEM TRIM BOW DOWN	 TRIM TAB TRIMMING OPERATION	 SINGLE LEVER CONTROL (THROTTLE & SHIFT)	 CONTROL LEVER OPERATING DIRECTION
 LIFT POINT / SLING LOCATION	 ENGINE START	 ENGINE STOP	 FUEL LEVEL	 FUEL FILTER	 ENGINE COOLANT
 ENGINE WATER JACKET TEMPERATURE	 ENGINE OIL PRESSURE	 WARNING ELECTRICAL HAZARD	 FIRE RISK	 NO OPEN FLAME NO SMOKING	 ROTARY CONTROL (WIDTH OF SYMBOL INDICATES INCREASE)
 FRESH WATER	 WASTE WATER/SEWAGE	 FRESH WATER SYSTEM	 LEADED FUEL	 UNLEADED FUEL	 OIL
 FUEL GENERAL	 DIESEL FUEL	 LIFT POINT	 PROPELLER	 ENGINE ROTATIONAL SPEED	 BILGE PUMP
 BILGE BLOWER	 INTERIOR LIGHT	 COCKPIT LIGHTS	 RUNNING LIGHTS UNDER POWER	 ANCHOR LIGHT	 WINDSHIELD WIPER
 WINDSHIELD WASHER	 WINDSHIELD WIPER AND WASHER	 COMPASS	 ANCHOR	 HORN	 BATTERY



## 20. 205 Sport Warning Label Locations



**THIS PAGE LEFT INTENTIONALLY BLANK**

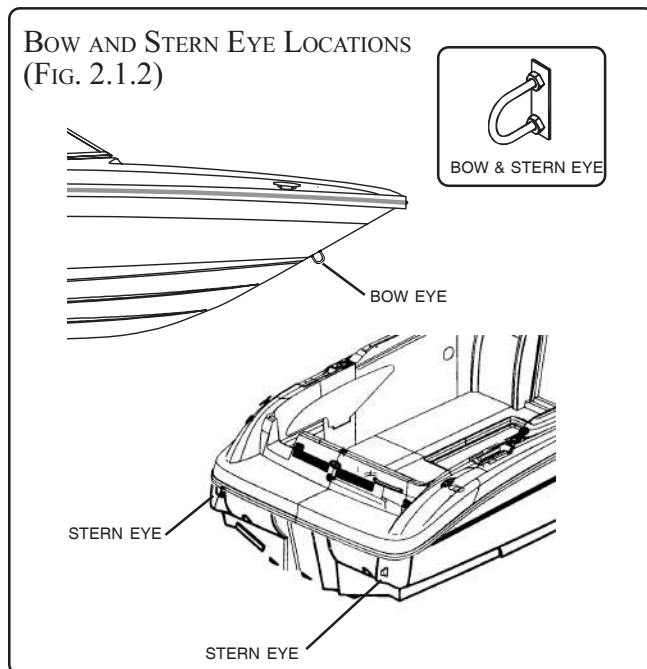
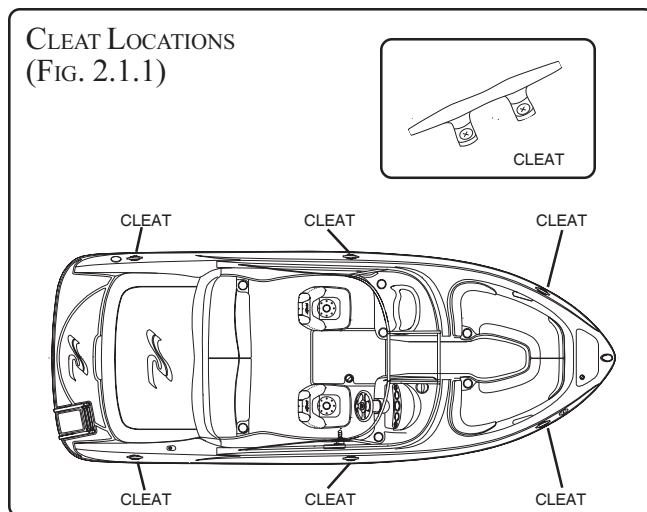
## SECTION 2 • GENERAL BOAT ARRANGEMENT

### 1. DOCKING/LIFTING/TRAILERING

#### ! CAUTION

Do Not use cleats for lifting.

**BOW AND STERN CLEATS:** Cleats must not be used for lifting the boat, they are intended for docking or mooring use only.



**BOW AND STERN EYES:** The bow eye must be used to haul the boat onto a trailer. The stern eyes

must be used as tie down points for trailering the boat. The bow and stern eyes may be used for short term lifting of the boat such as for service. Long term lifting with the bow and stern eyes may cause stress on the fiberglass and gel coat.

For long term storage, use flat, wide belt-type slings and spreaders long enough to keep pressure from gunwales. Do not place slings where they may lift on underwater fittings.

### 2. PASSENGER LOCATIONS

#### ! WARNING

Boat motion can be erratic.

You can fall overboard or be injured by hitting something in or on the boat.

All persons must be in cockpit area or cabin and be prepared for sudden boat movement.

Use front or bow deck area only during anchoring, mooring or emergencies.

#### ! WARNING

Wet decks are slippery.

You can be seriously injured if you slip and fall.

Wear slip resistant footwear secured to your feet and hold on to rails or boat structure.

1. When the boat is moving, all passengers must be in the cockpit or bow area and must be on seating provided or, if standing, holding on firmly (See Figure 2.2.1).

While the person at the wheel must alert passengers before any sudden or erratic boat movement, such as crossing wakes, rapid turns, sudden acceleration or deceleration, etc., an emergency action may be necessary before passengers can be warned. All passengers must be prepared for rapid boat movement and be able to hold on to prevent loss of balance.

2. When persons are on the working deck area, for anchoring, mooring or in emergencies, they



## SECTION 2 • GENERAL BOAT ARRANGEMENT

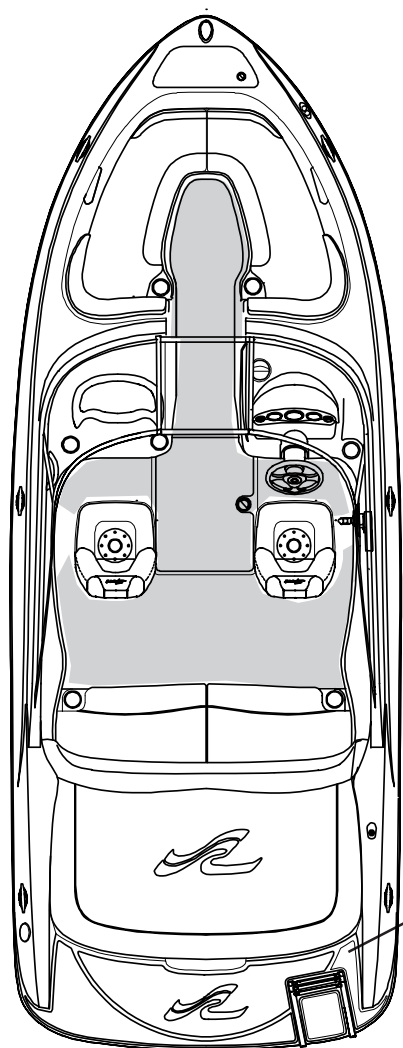
must be holding on and be positioned so as to prevent falling. In bad weather and/or rough water, if it is essential to be on deck, persons should be closely tied to cleats, railing stanchions or other securely fastened boat hardware.

3. Engines must be turned off if the boat is near swimmers or persons are on the swim platform or the swim ladder.

### 3. PROPULSION SYSTEM

Your boat is equipped with a stern drive propulsion system also known as an inboard-outboard engine (Figure 2.3.2). This type of propulsion system has the engine inside the boat secured to the hull's stringers at the rear end of the hull. The stern drive unit, also called the lower unit because it hangs below the hull, is part of the propulsion system that attaches to the outside of the hull or transom. The stern drive unit pivots to steer the boat.

PASSENGER LOCATIONS  
(FIG. 2.2.1)



ACCOMMODATION DECK  
(DECK AREA INTENDED FOR  
OCCUPATION DURING NORMAL  
OPERATION)

#### **! WARNING**

**Wet decks are slippery.**

**You can be seriously injured if you slip and fall.**

**Wear slip resistant footwear secured to your feet and hold on to rails or boat structure.**

#### **! DANGER**

**Rotating propellers can injure or kill you.**

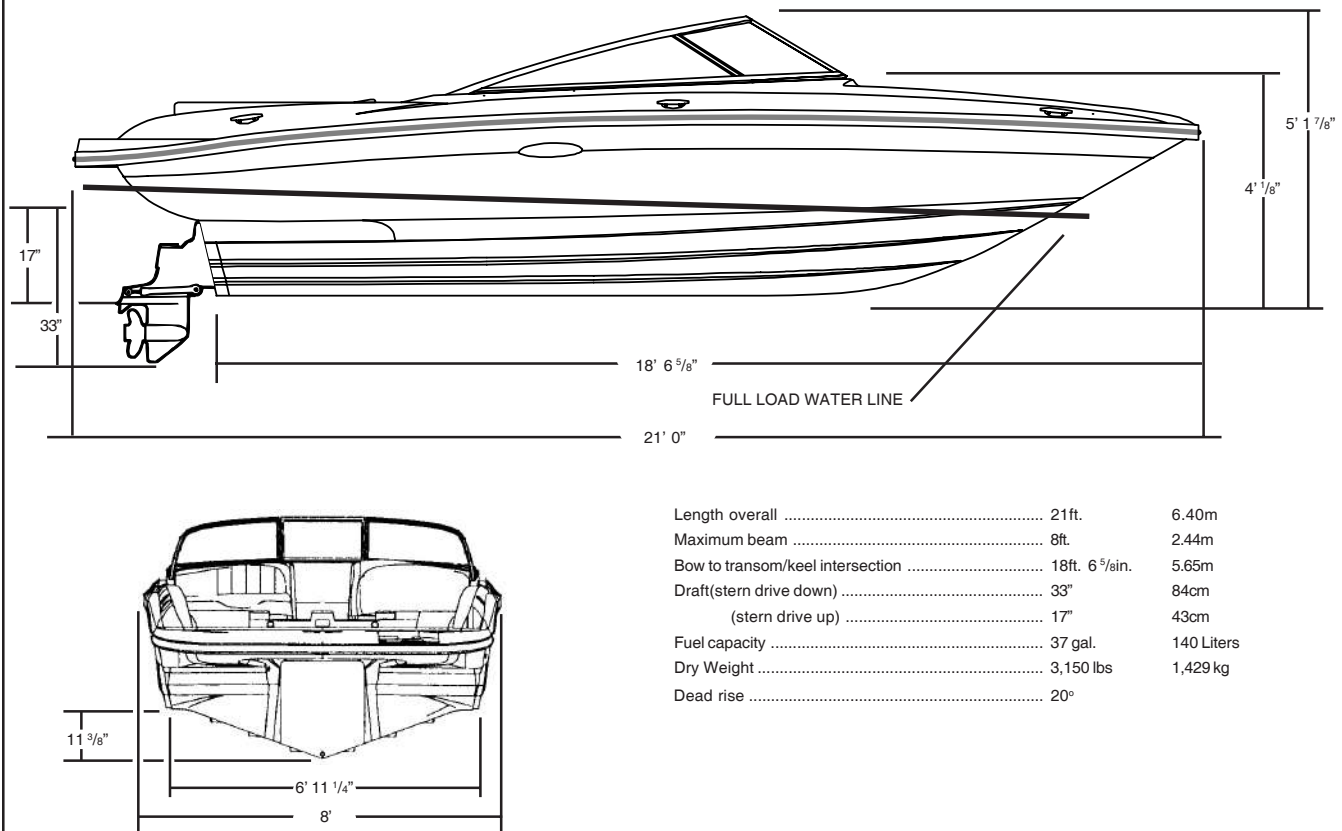
**Shut off engine when persons are in water, near boat, on swim platform or ladder.**



# SECTION 2 • GENERAL BOAT ARRANGEMENT

## 4. BASIC BOAT DIMENSIONS AND CLEARANCES

BOAT DIMENSIONS AND CLEARANCES  
(FIG. 2.3.1)

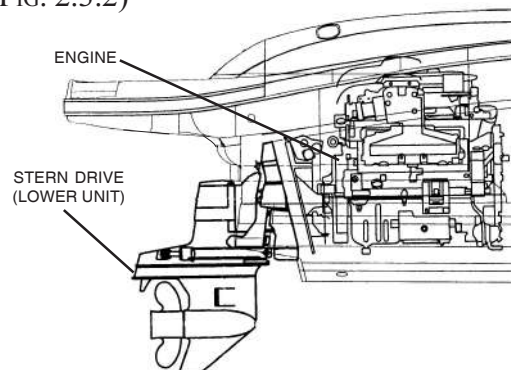


## 5. PROPELLERS

Your Sea Ray® has been equipped with propellers which our tests have shown to be the best suited for general use under normal conditions and load.

**Under no circumstances use a propeller which allows the engine to operate at higher than maximum RPM for your engine.**

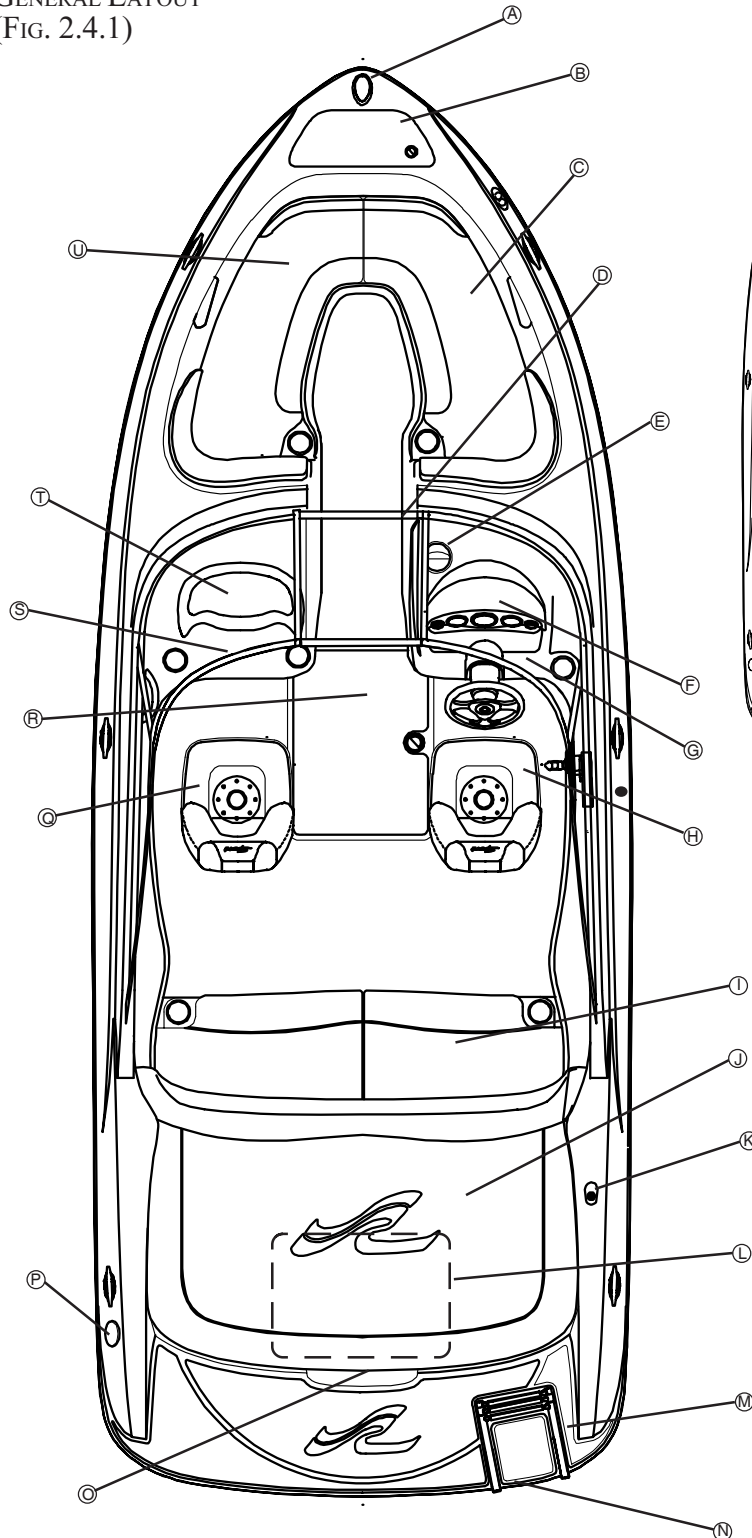
STERN DRIVE (INBOARD-OUTBOARD) ENGINE  
(FIG. 2.3.2)



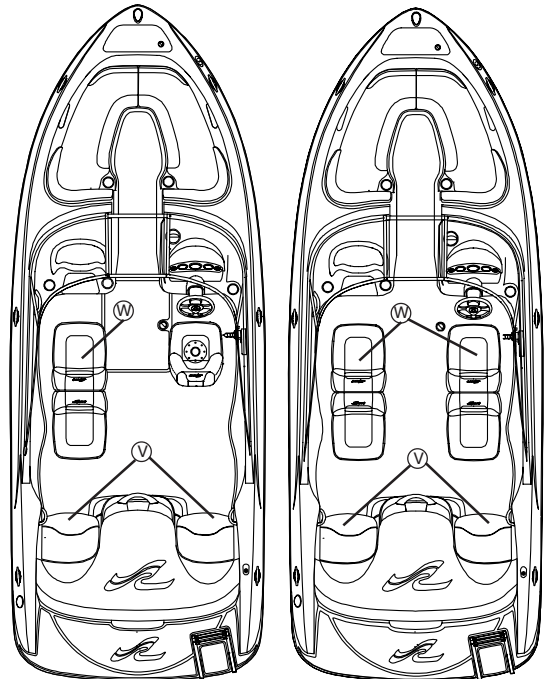
# SECTION 2 • GENERAL BOAT ARRANGEMENT

## 6. GENERAL DECK LAYOUT

GENERAL LAYOUT  
(FIG. 2.4.1)



OPTIONAL SEATING PLANS



Bucket seat, Helm; Port Back-to-Back Lounger; Aft Jump Seats; Motorbox

Back-to-Back Loungers (2); Aft Jump Seats; Motorbox

- (A) NAVIGATION LIGHT
- (B) ANCHOR STORAGE LOCKER
- (C) STBD BOW STORAGE
- (D) WALK-THROUGH WINDSHIELD
- (E) COMPASS (OPTIONAL)
- (F) CONTROL STATION
- (G) 12 VOLT RECEPTACLE
- (H) HELM SEAT
- ACCESS PLATE TO FUEL TANK SENDING UNIT (UNDER SEAT)
- (J) AFT PASSENGER SEAT
- (K) SUN PAD
- (L) STERN LIGHT HOLDER
- (M) ENGINE BOX (UNDER SUNPAD)
- (N) SWIM PLATFORM
- (O) FOLDING SWIM LADDER
- (P) SKI TOW
- (P) FUEL FILL
- (Q) COMPANION SEAT
- (R) FLOOR STORAGE
- (S) COOLER WITH DRAIN
- (T) STEREO (INSIDE GLOVE BOX)
- (U) PORT BOW STORAGE
- (V) AFT JUMP SEATS (OPTIONAL)
- (W) BACK-TO-BACK LOUNGER (OPTIONAL)

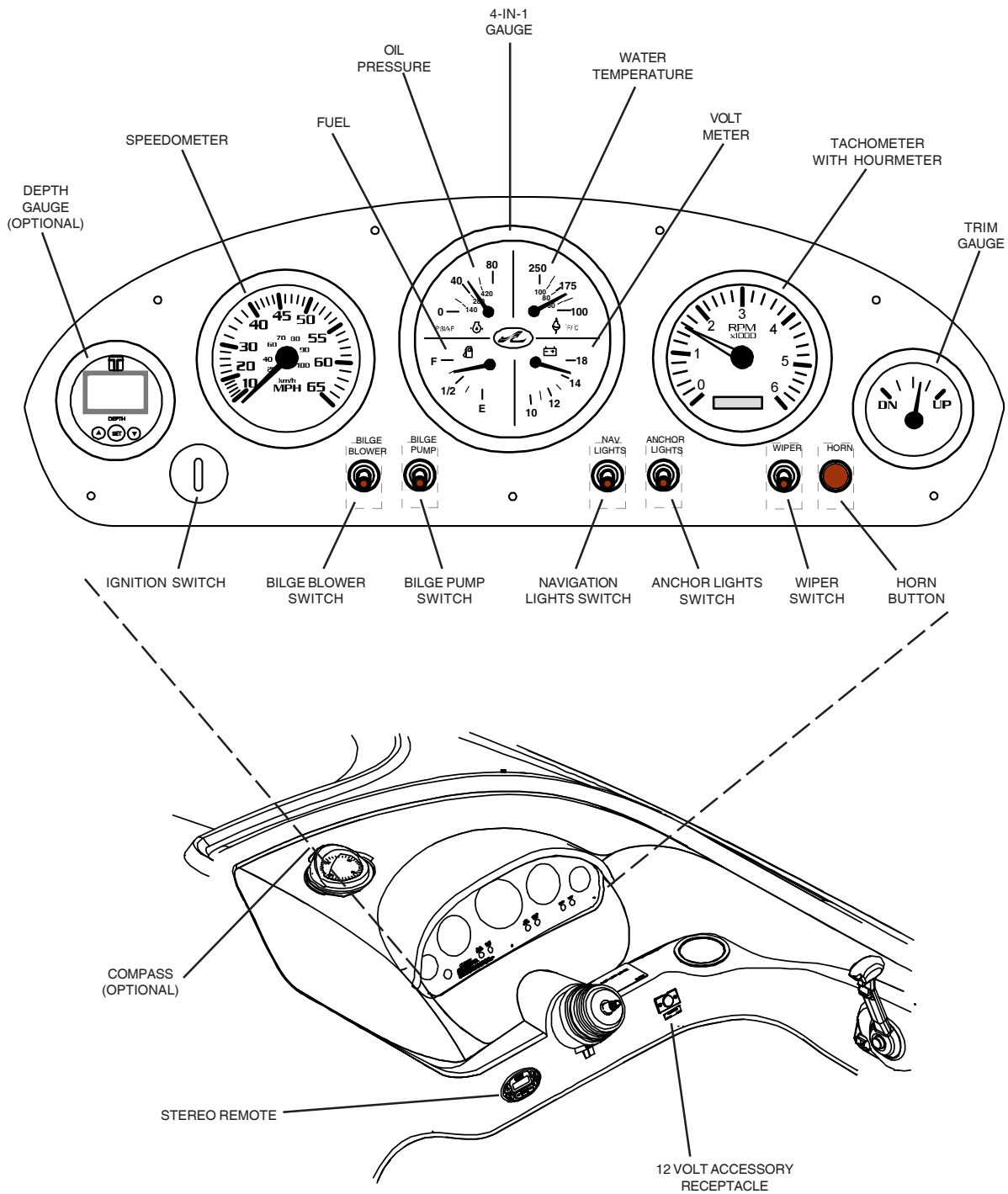




# SECTION 2 • GENERAL BOAT ARRANGEMENT

## 7. HELM GAUGE AND SWITCH LAYOUT

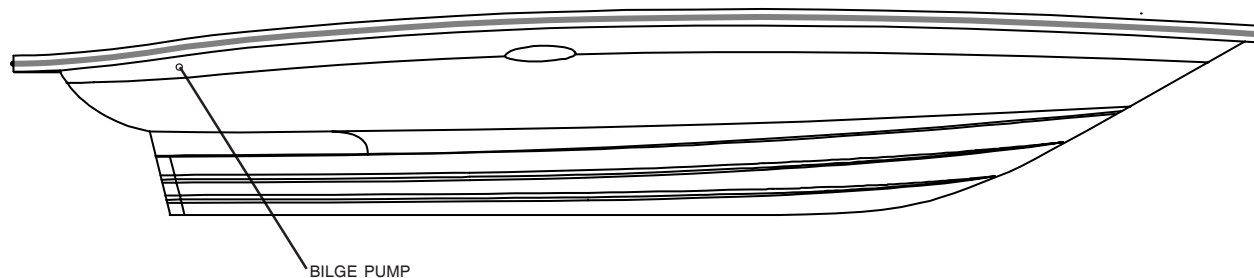
HELM GAUGES AND SWITCHES  
(FIG. 2.5.1)



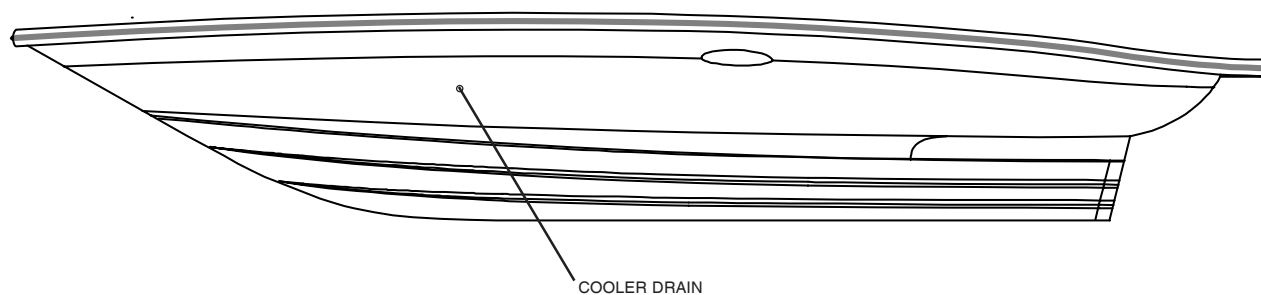
## SECTION 2 • GENERAL BOAT ARRANGEMENT

### 8. FUNCTION AND LOCATION OF THROUGH-HULL CUTOUTS

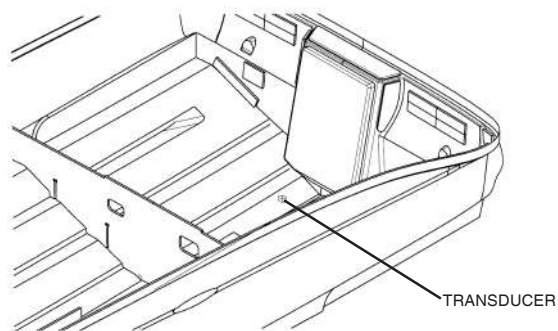
STARBOARD THROUGH-HULL CUTOUTS  
(FIG. 2.6.1)



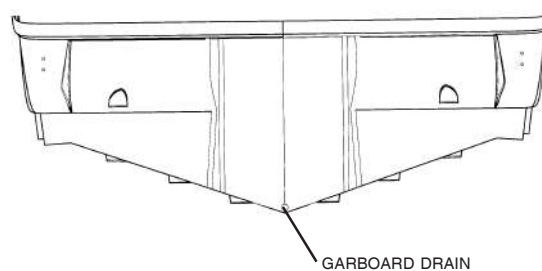
PORT THROUGH-HULL CUTOUTS  
(FIG. 2.6.2)



BILGE THROUGH-HULL CUTOUTS  
(FIG. 2.6.3)



TRANSOM THROUGH-HULL CUTOUTS  
(FIG. 2.6.4)

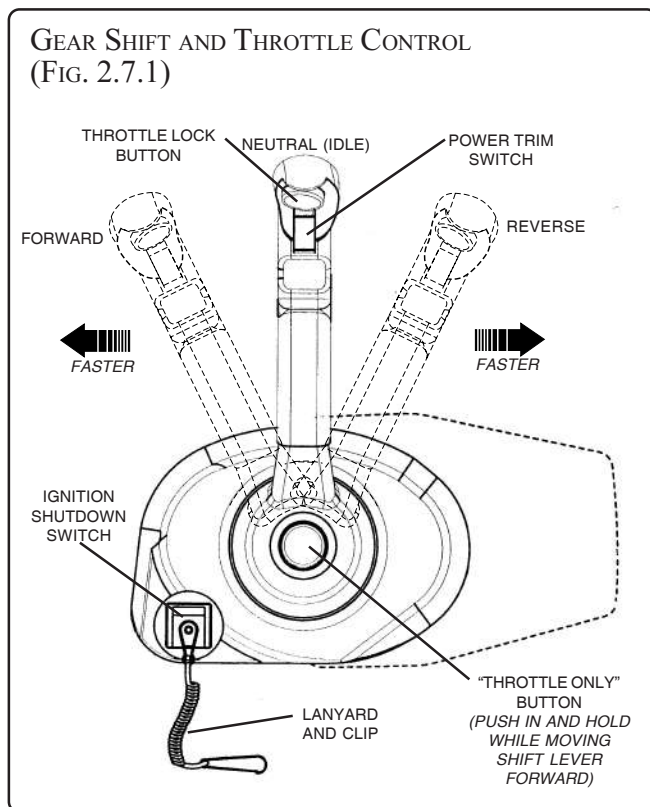


## SECTION 2 • GENERAL BOAT ARRANGEMENT

### 9. DESCRIPTION OF MAJOR CONTROLS

#### A. GEAR SHIFT AND THROTTLE CONTROL

The shift/throttle control unit for the engine activates by the shifting mechanism and the throttle. The control must be in neutral position to start your engine. Moving the lever forward first engages the forward gear. Further forward movement increases engine speed and propeller RPM, moving the boat faster. To shift to reverse, bring the control lever back to the neutral position, then move it further back to engage the reverse gear. Further rearward movement of the lever increases engine speed and propeller RPM, moving the boat faster in reverse.



Shift/throttle controls are equipped with a “throttle only” mechanism which allows the shift mechanism to be disengaged from the throttle. This allows the throttle to be advanced without shifting the transmission when starting. It may be necessary to use the “throttle only” button in order to pump fuel into the engine for ease in starting.

The “throttle Only” mechanism may differ from one style gear/throttle unit to another. Refer to your Gear Shift & Throttle Manual for proper operation of this feature.

The throttle control adjusts the RPM of the engine and thus, the rotational speed of the propeller. Regulating the RPM of the engine controls the speed of the boat.

Forward motion creates forward moving water called a “following” wake. If the boat is moving forward and the shift/throttle is moved quickly from forward to reverse, the boat will stop rapidly and then move backward. The following wake continues to move forward and can rise above the transom and flood the boat.

Do not shift into reverse too quickly. Wait for the following wake to dissipate.

#### **CAUTION**

Cockpit can fill with water if boat is moving forward, when it is put into reverse.

Before shifting into reverse, shift to neutral, wait for boat to stop moving forward, then shift into reverse.

#### B. POWER TRIM UNIT AND GAUGE

The power trim allows the operator to raise and lower the stern drive unit while underway to provide the ideal boat angle (in relation to water surface) for a given load and water condition (Figure 2.8.1).

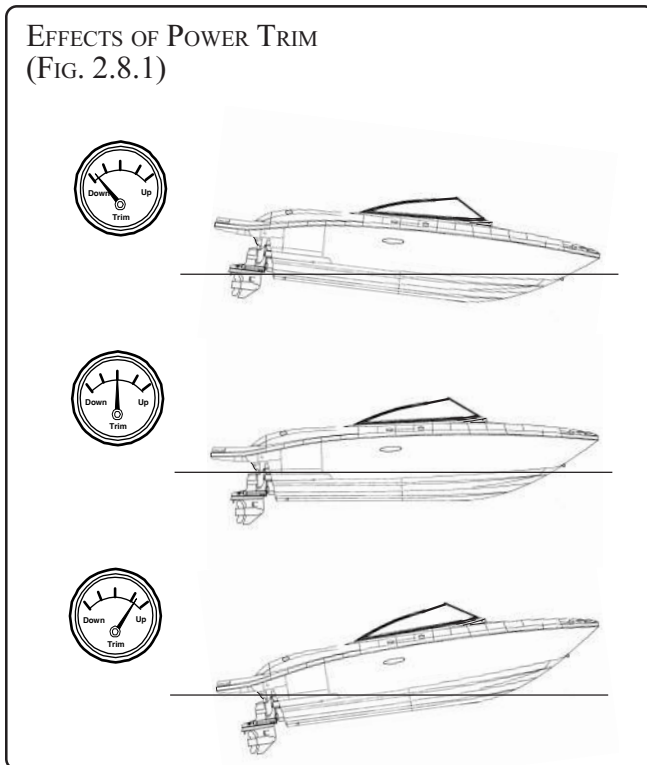
Trimming UP rotates the stern drive and propeller away from the transom. Trimming DOWN rotates the stern drive and propeller closer to the transom.

When the stern drive is trimmed DOWN, the bow of the boat is being forced down. If the trim is in the full DOWN position when accelerating from idle to plane, the boat will plane faster with less bow rise. Once on plane, the stern drive unit can be trimmed UP slightly. This will raise the bow of the boat slightly and increase speed. You will need to try small differences in the stern drive position to determine the trim position you prefer under various conditions.



## SECTION 2 • GENERAL BOAT ARRANGEMENT

EFFECTS OF POWER TRIM  
(FIG. 2.8.1)



If you raise the stern drive up to far while you are on plane, you could cause a loss of speed and power due to condition called propeller “ventilation.” If this happens, there will be a sudden increase in engine RPM and loss of speed. Do not let this condition exist. Immediately reduce your engine RPM and trim the outdrive DOWN slightly until engine slows down and you regain forward speed.

The trim gauge indicates the position of the stern drive relative to the transom.

REFER TO YOUR ENGINE OPERATOR'S MANUAL FOR PROPER TRIM GAUGE SETTING

### C. IGNITION SHUTDOWN SWITCH

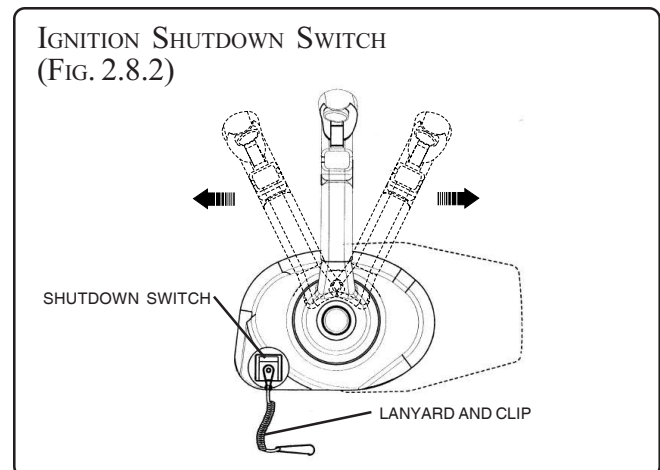
The purpose of the ignition shutdown switch (Figure 2.8.2) is to shut down the engine if the operator unintentionally leaves the helm. Situations in which this could occur are rough water, bad weather and other adverse boating conditions. In these situations, the safety of the boat and its passengers is enhanced by using the ignition shutdown switch, since the boat will stop when the operator can no longer control the boat.

However, unintentional engine shutdown may result in unintentional harm. For example, a passenger may lose balance and fall, or control could be lost during docking. No specific guidelines can be given for switch use. The ultimate decision of when to use an ignition shutdown switch, rests with the operator or owner.

When the switch is used, the operator must securely clip the lanyard to their belt or clothing so that if the operator falls overboard or into the boat, the switch is activated and the engine shuts down.

To reset the ignition shutdown switch after it has been activated, simply reinstall the switch clip above the shutoff switch and flip the switch to the UP position.

IGNITION SHUTDOWN SWITCH  
(FIG. 2.8.2)



### D. ENGINE ALARM SYSTEM (ONLY ON CERTAIN ENGINES)

The engine Operator's Manual will tell you if your engine is equipped with an audible alarm and how to use it.

The alarm indicates a problem with engine water temperature, oil pressure and/or stern drive oil level.



## SECTION 2 • GENERAL BOAT ARRANGEMENT

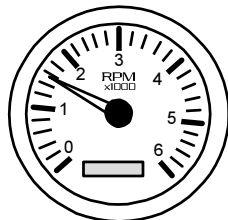
### 10. IMPORTANT GAUGES

#### A. TACHOMETER AND HOUR METER

The tachometer indicates the revolutions per minute (RPM) of the engine. (It does not indicate the speed of the boat.) Your Engine Operator's Manual indicates the maximum full throttle RPM at which your engine should operate. This must not be exceeded or serious engine damage will occur. The tachometer should also be used to determine the most comfortable and economical cruising RPM.

The hourmeter measures cumulative hours of operating time. The hourmeter should be used to keep a careful log of engine maintenance as well as performance data and fuel consumption. Do not leave ignition key ON with the engines off, as this will increase the engine hours on the hourmeter.

TACHOMETER WITH HOURMETER  
(FIG. 2.9.1)



#### B. OIL PRESSURE, WATER TEMPERATURE, VOLTMETER AND FUEL GAUGES

These gauges function on your boat the same way they do on your car or truck. You must continually check these gauges visually (See figure 2.5.1) to make certain there are no engine system problems even if your boat engine has an alarm system.

#### ⚠ CAUTION

Always check oil pressure and water gauges while moving, even if your engine has an alarm.

Shut down engine immediately if gauges are not in normal ranges, or alarm sounds.

Do not restart engine until problems are corrected.

#### C. MAGNETIC COMPASS (OPTIONAL)

If equipped, your compass (See Figure 2.5.1), properly corrected, will indicate magnetic North (not true North). A compass must be adjusted by a qualified person. The reason for this is that nearby instruments or objects containing magnets or current-carrying electrical wires will influence the compass reading. This is especially true if you add electronic devices to the helm station.

After your compass has been professionally adjusted, you will be given a deviation card or chart indicating the correction to be applied when laying out a compass course or making navigational calculations. **Keep this correction card or chart at the helm.**

**NOTE:** The compass adjustment is only good for the equipment arrangement that existed at the time of the adjustment. If you place different equipment or remove equipment from the vicinity of the compass, you cannot rely on the compass reading. The compass must be readjusted by a qualified person after equipment is added or removed from the vicinity of the compass.

**NOTE:** The compass roses shown on navigational charts have both true North and magnetic North directions superimposed. Make certain you plot course compass directions from the magnetic North compass rose.

When not in use, the compass should be protected from excessive and prolonged sunlight. If your compass becomes sluggish or erratic, it should be serviced by an authorized repair station.

To keep the plexiglass dome free from scratches, remove salt deposits and dust with a damp cloth. An occasional treatment with paste wax will help preserve the dome surface.

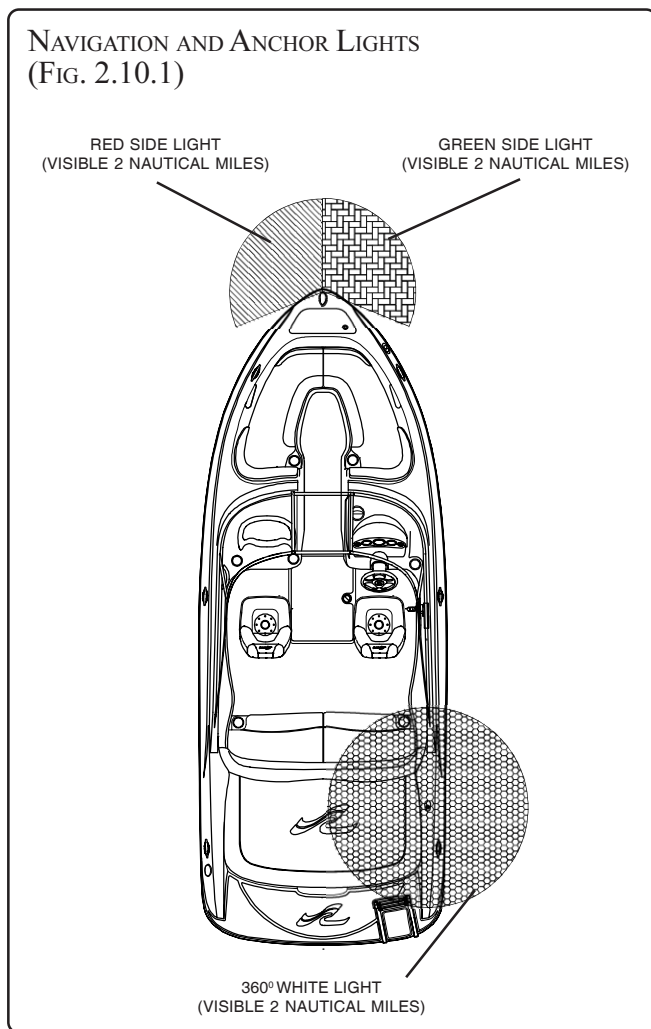
REFER TO OWNER'S MANUAL PACKET FOR INSTRUCTIONS AND WARRANTY INFORMATION.



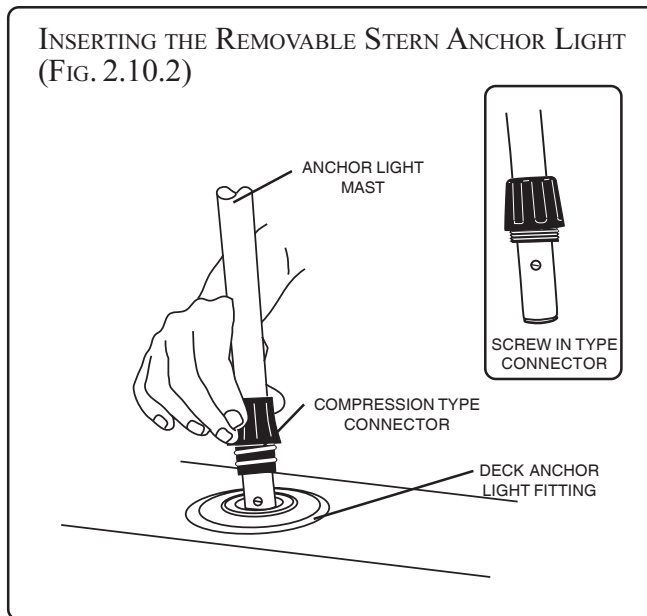
## SECTION 2 • GENERAL BOAT ARRANGEMENT

### 11. NAVIGATION AND ANCHOR LIGHTS

Navigation lights (Figure 2.10.1) **MUST** be on while underway from sunset to sunrise or in conditions of reduced visibility. "Underway" means the boat is not docked or at anchor. Trolling or drifting with engine off is considered "underway" and navigation lights must be used.



If you are anchored in open water, i.e. where other boats can approach yours, you must display your anchor light (Figure 2.10.2): a white light that can be seen from all possible directions, i.e. 360 degrees.



Read the "Federal Requirements and Safety Tips for Recreational Boats" provided in your kit.



---

## SECTION 3 • USING YOUR BOAT

---

### 1. PRE-LAUNCH, LAUNCH AND POST-LAUNCH CHECKLIST

Listed below are the critical items you must check and do each time you use your boat. It does not list all of the necessary maintenance and service items required to keep your boat running properly. These other items are found in Section 6.

#### BEFORE LAUNCH

- Drain plug installed
- Enough fuel for trip
- Float plan given to friend or relative
- Navigation charts for trip
- Weather forecast - safe

#### IN THE WATER, BEFORE BOARDING PASSENGERS OR STARTING ENGINE

- Stern drive down
- Equipment stored and balanced
- No gas smell in engine compartment
- Engine oil and steering fluid levels - OK
- Battery switch on (with CE Option)
- Bilge pump working
- Bilge blower on
- Radio and navigation equipment functioning

#### PASSENGERS

- Wearing PFDs
- Seated properly
- Given safety instructions

#### STARTING ENGINE

- Make sure you have read and understand the dangers of Carbon Monoxide (CO) information in this manual.

- Bilge blower on for at least four (4) minutes. Feel to confirm airflow at hull vent on hull side. Inspect bilge area for visual and odor confirmation that there are no fuel leaks.
- Throttle-only position, handle pumped before starting, if necessary.
- Oil pressure, engine temperature, voltage - OK after starting and warm up.

#### UNDERWAY

- Gradual acceleration and deceleration and turning.
- Aware of surroundings at all times.
- Operate so as to prevent buildup of Carbon Monoxide (CO)
- Monitor weather
- Use navigational aids in water and on shore
- Keep passengers safe
- Check fuel consumption regularly
- Check all gauges frequently

#### END OF TRIP

- Equipment dry and stored.
- Electronic equipment and switches off.
- Battery switch off (with CE Option)
- Stern drive in trailering position.
- Notify person who had float plan.
- Boat covered properly for trailering, docking or mooring.
- Drain plug removed.
- Hull and propeller inspected for damage.

#### WARNING

**An improper trailer can cause structural damage to the hull.**

**A damaged hull can be unsafe; it could cause the boat to sink.**

**Use a trailer that can properly support the boat's weight and shape. Get professional help in picking the right trailer for your boat.**



## SECTION 3 • USING YOUR BOAT

### 2. TRAILER LAUNCHING AND LOADING

Your trailer must be capable of carrying the boat's weight as well as supporting the boat near the keel, front (bow) and rear (stern) areas. Using a trailer not designed to support the boat properly, can cause structural damage to the hull. A damaged hull can be unsafe.

#### **! WARNING**

An improper trailer can cause structural damage to the hull.

A damaged hull can be unsafe; it could cause the boat to sink.

Use a trailer that can properly support the boat's weight and shape. Get professional help in picking the right trailer for your boat.

**PROPER TOWING OF A BOAT AND TRAILER REQUIRES SPECIAL SKILLS. MAKE CERTAIN YOU PRACTICE HOW TO MANEUVER A BOAT AND TRAILER AND GET TRAINING BEFORE TOWING, LAUNCHING AND LOADING YOUR BOAT.**

### 3. FUELING THE BOAT

The fuel fill cap is located on the deck on the left (port) side of the boat (Figure 3.2.1). Do not mistake the water tank fill and waste pump out caps for the gasoline fill cap.

#### **! DANGER**

Gasoline vapors can explode from static electricity if fueling is not done properly.

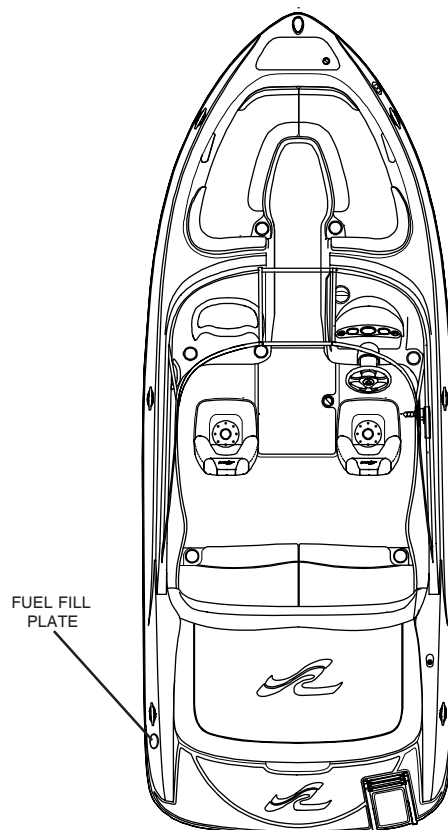
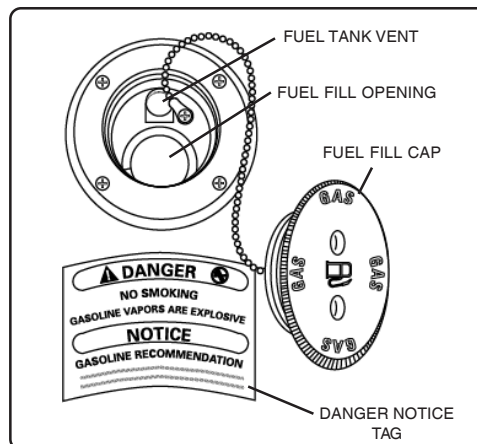
Read and understand this section

Refer to your engine manual for the proper grade of gasoline.

#### BEFORE FUELING

- Fuel during daylight hours.
- If possible, position boat with the left (port) side against the fueling dock so that the fuel fill cap is easily accessible from the dock.

FUEL FILL LOCATION  
(FIG. 3.2.1)



- If the right (starboard) side of the boat is against the dock, remember that the fuel cap is on the other (port) side of the boat. Do not confuse the waste pump out cap with the fuel fill cap.





## SECTION 3 • USING YOUR BOAT

- Tie boat to the dock.
- Shut off engine, bilge blower and all other electrical equipment.
- Shut off gas burning appliances (gas stove, etc.).
- Close all hatches, doors and keep engine compartment closed to prevent gasoline fumes from entering the cabin or cockpit area.
- All passengers must leave the boat, as a precaution.
- There must be no smoking or any flames within 20 feet of the boat, before, during and for at least 5 minutes after fueling is completed.
- Open fuel fill cap and insert hose nozzle into the fuel fill opening. Fuel fill hose nozzle must contact the fuel fill opening **BEFORE** adding fuel to prevent discharge of static electricity.

### FILLING THE TANK

<b>! DANGER</b>
<b>NO SMOKING GASOLINE VAPORS ARE EXPLOSIVE</b>
<b>NOTICE</b>
<b>GASOLINE RECOMMENDATIONS</b>
Minimum octane rating of 87 AKI.
Refer to the engine owner's manual for additional information

- Check the fill plate label to ensure that fuel is placed **ONLY** in the fuel tank. The fuel fill plate is located on the port aft section of your boat (Figure 3.2.1).
- Keep nozzle in contact with fuel fill opening at all times during fueling.
- Listen as tank fills and stop adding gasoline before it spills from the vent. Gasoline must have room for expansion.

### AFTER FILLING

- **DO NOT** wash spilled fuel overboard. Wipe up any spill with rags or paper towels and dispose of them properly on shore.
- Open engine compartment and check for gasoline fumes. Leave compartment open until no odor is apparent. Close compartment.
- If fumes in the engine compartment do not disappear, do not turn on blower or start engine. Get help from trained and experienced persons before using the boat.
- Turn on blower for four minutes, then restart engine.
- Assist passengers back into the boat.

## 4. BOARDING

- **DO NOT** overload the boat. Refer to Coast Guard capacity plate located near the helm (See Figure 1.17.1), and load to less than capacity in adverse conditions.

<b>! WARNING</b>
Wet decks are slippery.
You can be seriously injured if you slip and fall.
Wear slip-resistant footwear secured to your feet and hold onto rails or boat structure.

- Board one person at a time and give assistance as needed.
- Transfer gear and equipment by handing it from a person on the dock to a person on board. You can lose your balance and be injured if you attempt to board while carrying equipment or gear.
- Distribute the weight of equipment and passengers as evenly as possible to keep the boat balanced.
- Stow gear and equipment so that it is accessible, but everything is to be stored in places so as to



---

## SECTION 3 • USING YOUR BOAT

---

prevent it from flying about if the boat encounters rough water or weather.

### 5. PERSONAL FLOTATION DEVICES (PFD'S)

- Operator must instruct all passengers on location and use of PFD's (See *Section 1-Safety*, for type and usage).
- Children less than sixteen (16) years of age and all nonswimmers, adults as well as children, must wear properly-sized PFDs at all times when aboard.
- ALL passengers should wear PFDs. By the time someone falls overboard, it can be too late for them to put on a PFD and fasten it properly. This is especially true in colder waters, below 70°F, where survival time, before hypothermia sets in, is measured in minutes.
- If there are passengers not wearing PFDs, the PFDs must be readily accessible. "Readily accessible" means out of the storage bag and unbuckled.
- All throwable flotation devices (cushions, rings, etc.) must be right at hand.

### 6. PASSENGER INSTRUCTION AND LOCATION

- Everyone on board must be told about the boat's behavior from starting to getting up on plane.
- Before the operator does any high-speed maneuvers or rapidly accelerates or decelerates the boat, passengers must be warned to sit and hold on and must heed the warning.
- The operator may have to make rapid changes in speed and/or direction to avoid a problem, with little or no time for alerting passengers. It is critical that all passengers be seated in the designated seating areas and holding on to

prevent falling overboard or getting knocked about in the boat at all times when the boat is underway.

### 7. STARTING THE ENGINES

The engine operation and maintenance manual furnished with your boat describes pre-start and starting procedures. We urge you to thoroughly read and understand your engine manual.

#### DANGER

**Gasoline vapors can explode**

**Before starting the engines, open engine compartment and check for gasoline smell.**

- **If you smell gasoline, do not start engine; get everyone off the boat and get trained help to find and fix the problem.**

**If there is no gasoline smell, perform checks specified by manual, then and only then, close engine compartment and run blower for at least 4 minutes before starting.**

Listed below are basic pre-start and starting reminders. These are not a substitute for the engine manufacturer's specific recommendations.

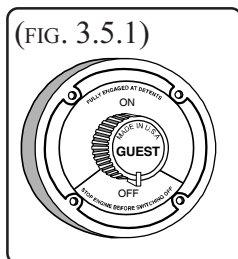
Open the engine compartment and check for the smell of gasoline.

- **IF YOU SMELL GASOLINE**, get everyone off the boat, do not operate any electrical switches or light any matches, lighters, etc. Get trained help to find and fix the problem, before starting the engine or operating any switches on the boat.
- If you **DO NOT** smell gasoline..
  1. Check all fluid levels and any other necessary checks as specified in Section 8 and in the engine manual.
  2. Check that water level in bilge is minimal. Verify that the bilge pump is operating by turning the bilge pump switch to **MANUAL** and listening for the pump running and check to see that bilge water is being pumped overboard.

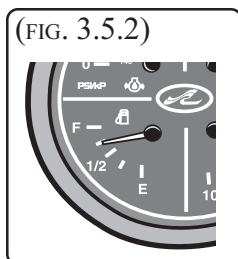


## SECTION 3 • USING YOUR BOAT

3. Close engine compartment and turn on battery switch (only with CE Option) located under the aft port seat.



4. Check fuel level. Be sure you have enough fuel for your trip. Remember the "1/3 Rule": Use no more than 1/3 of your fuel for outbound trip; use 1/3 of the fuel for return trip; keep 1/3 for reserve in case of emergency.

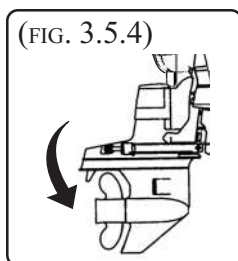


5. Run bilge blowers for at least 4 minutes before attempting to start engine

Unlike your automobile engine which is naturally ventilated even when it is not moving, your boat engine compartment (the bilge) does not have sufficient natural ventilation when the boat is not moving or moving slowly. That is why the engine compartment must have forced ventilation, using the bilge blower, to remove potentially explosive gasoline vapors, before the engine is started and when the boat is moving slowly.

Because it may be difficult to remember to turn on the bilge blower every time you slow down the boat, it is recommended that the bilge blower run all the time the engine is running.

6. Place drive unit in full DOWN/IN position.

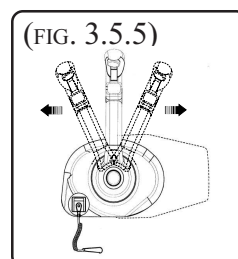


7. Put throttle and shift control lever into neutral; then for a:

**COLD ENGINE** - press **THROTTLE ONLY** button and move shift/throttle lever forward to full open throttle, then return to about 1/4 throttle. In cold weather, it may be necessary to pump lever several times before engine will start.

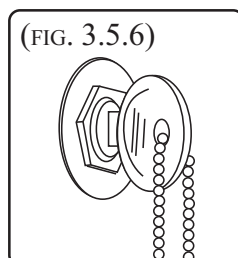
**WARM ENGINE** - Press **THROTTLE ONLY** button and move shift/throttle lever about 1/4 open throttle position. Do not pump lever.

**FLOODED ENGINE** - press **THROTTLE ONLY** button and move shift/throttle lever to full open position. **DO NOT** pump lever. When the engine starts, move shift/throttle lever back rapidly to decrease engine speed to between 1000 and 1500 RPM.



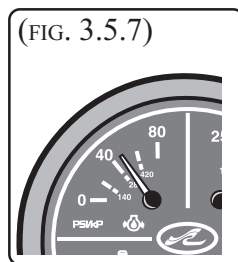
8. TO START ENGINE:

Turn ignition key clockwise, as in a car, and release when engine starts. Do not crank engine for more than a few seconds if it doesn't start. Engine may be very cold or flooded; see step 7.



9. After engine starts, reduce speed to between 1000 and 1500 RPM and check oil pressure.

10. If oil pressure is correct, let engine warm up to normal temperature range as specified in the engine manual, before shifting into forward or reverse gear.

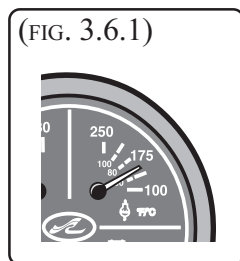


**IF OIL PRESSURE GOES ABOVE OR BELOW OPERATING RANGE, SHUT ENGINE DOWN IMMEDIATELY. GET TRAINED HELP TO FIND AND FIX THE PROBLEM.**



## SECTION 3 • USING YOUR BOAT

11. Check water temperature to ensure temperature range remains normal.



IF ENGINE TEMPERATURE GOES ABOVE NORMAL RANGE. SHUT DOWN THE ENGINE IMMEDIATELY. GET TRAINED HELP TO FIND AND FIX THE PROBLEM.

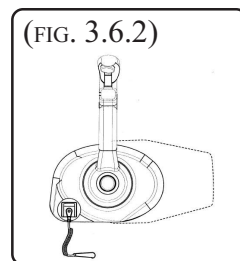
### 8. SHIFTING TO DRIVE THE BOAT

#### ⚠ CAUTION

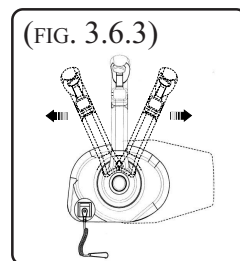
Cockpit can fill with water if boat is moving forward, when it is put into reverse.

Before shifting into reverse, shift to neutral, wait for the boat to stop moving forward, then shift into reverse.

Bring shift/throttle lever back to neutral position. The THROTTLE ONLY button will pop out.

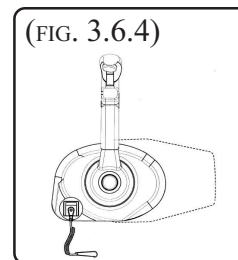


Then move shift/throttle lever rapidly, either forward or reverse, but not very far from the neutral position. The drive unit will engage and boat will start to move slowly in either forward or reverse. You can damage the transmission if you do not shift quickly from neutral into gear. Once clear of the dock, mooring, people and/or the no-wake zone and the boat has been shifted into forward gear, move shift/throttle lever forward to desired engine speed.

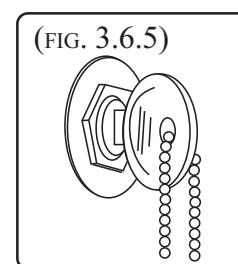


### 9. STOPPING THE ENGINES

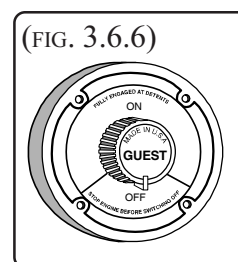
1. Move shift/throttle lever to NEUTRAL and let engine idle for about 5 minutes to allow engine to cool down.



2. Turn ignition key off. Do not use emergency stop switch to shut off engine.



3. If you are leaving the boat for more than two hours, turn battery switch OFF (only with CE option).



### 10. STEERING SYSTEM

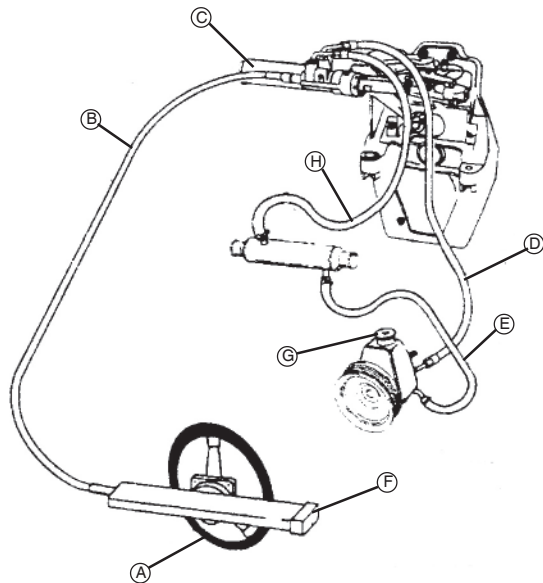
The steering system (See figure 3.7.1) is an enclosed push-pull cable that is hydraulically assisted (power steering) at the stern drive end. THE CABLE AND ITS CONNECTIONS TO THE STEERING WHEEL AND TO THE OUT DRIVE MUST BE INSPECTED AT LEAST TWICE A YEAR BY YOUR SEA RAY DEALER. See section 8 of this manual for inspection, service and maintenance recommendations.

The power steering pump fluid level MUST be checked every time prior to using the boat. Refer to the steering system information in your Owner's Packet.



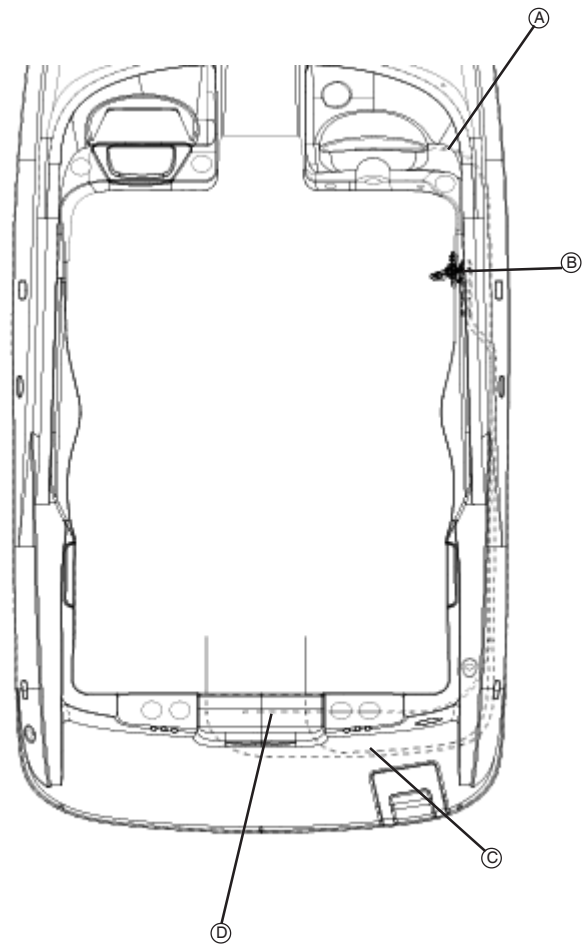
## SECTION 3 • USING YOUR BOAT

POWER STEERING SYSTEM  
(FIG. 3.7.1)



- (A) STEERING WHEEL
- (B) STEERING CABLE
- (C) POWER STEERING CYLINDER
- (D) FLUID PRESSURE LINE
- (E) FLUID RETURN LINE
- (F) HELM STEERING RACK
- (G) FLUID CHECK & ADD
- (H) FLUID RETURN LINE

POWER STEERING CABLE ROUTING  
(FIG. 3.7.2)



- (A) STEERING CABLE
- (B) THROTTLE CONTROL BOX
- (C) SHIFT CABLE
- (D) THROTTLE CABLE



---

## SECTION 3 • USING YOUR BOAT

---

**THIS PAGE LEFT INTENTIONALLY BLANK**



# SECTION 4 • BILGE & UNDERWATER GEAR

## 1. BILGE

### A. FUEL & OIL SPILLAGE

Regulations prohibit discharging fuel or oily waste in navigable waters. Discharge is defined as any action which causes a film, sheen or discoloration on the water surface, or causes a sludge or emulsion beneath the water surface. A common violation is bilge discharge. Use rags or sponges to soak up fuel or oily waste, then dispose of it properly ashore. If there is much fuel or oil in the bilge, contact a knowledgeable marine service to remove it. Never pump contaminated bilge overboard.

Fill fuel tank less than rated capacity. Allow for fuel expansion.

### B. DRAIN PLUG

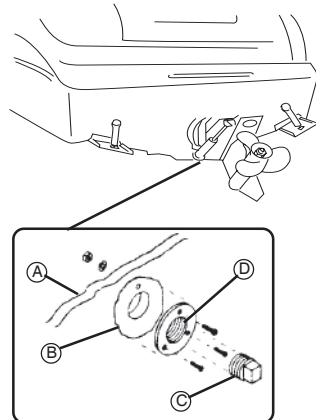
#### ! DANGER

Install and tighten drain plug before launching boat.  
Boat will sink if drain plug is not in place and tight.

The bottom of the engine compartment is called the "bilge". It is the lowest and inner part of the hull. Water and other liquids will collect here.

After removing your boat from the water, unthread the drain plug to drain the bilge.

DRAIN PLUG  
(FIG. 4.1.1)



### C. BILGE PUMPS

#### ! WARNING

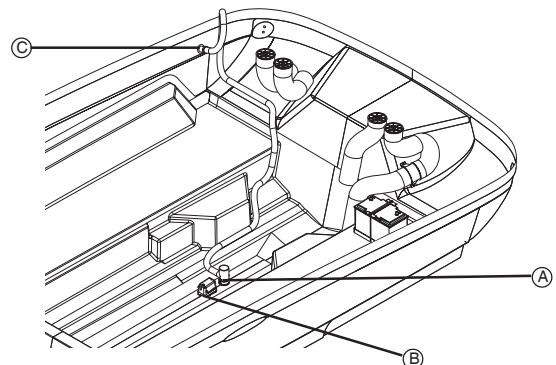
**SINKING HAZARD** – Ensure the bilge pumps are operating properly.

#### ! CAUTION

Run bilge pumps in the manual position only as long as necessary to remove water. Running bilge pumps dry can damage the pump motor.

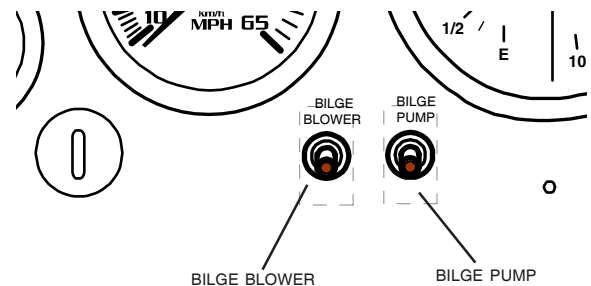
A bilge pump and float switch are located in the bottom of the bilge. The bilge pump is activated from the switch panel located on the helm.

BILGE PUMP AND FLOAT SWITCH  
(FIG. 4.1.2)



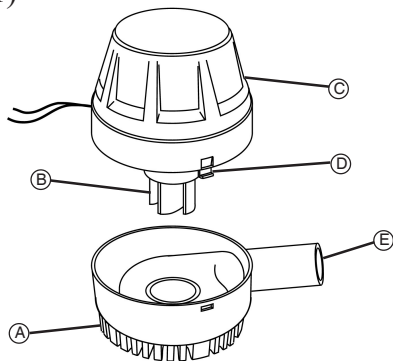
- (A) BILGE PUMP
- (B) FLOAT SWITCH
- (C) THROUGH-HULL VENT

BILGE PUMP AND BILGE BLOWER SWITCH  
(FIG. 4.1.3)



## SECTION 4 • BILGE & UNDERWATER GEAR

BILGE PUMP ASSEMBLY  
(FIG. 4.2.1)



- (A) WATER INLET
- (B) IMPELLER
- (C) PUMP HEAD/MOTOR ASSY
- (D) LOCKTAB
- (E) PUMP DISCHARGE

Before starting the engine, toggle the bilge pump switch so that the switch light comes ON. Make sure the pump is working by opening the engine compartment, listening to hear the pump running and check to see that liquid is being pumped out from the hull discharge (See Fig. 2.6.1). If the bilge has more liquid than normal, see Maintenance Section for locating and correcting the problem.

Except for checking the operation of the bilge pump using the ON position, leave the switch in the OFF (AUTO) position. In the OFF (AUTO) position, when the bilge liquid is deep enough to activate the float switch, the bilge pump turns on and pumps out the bilge liquid until the float switch drops and shuts off the pump.

If the liquid level in the bilge is higher than normal and the bilge pump empties the bilge when you use the ON switch, the float switch is not operating properly. Have it checked immediately. If the ON switch does not operate the pump, DO NOT use the boat until the problem is corrected.

The bilge pump is protected by two fuses, one in the fuse block located behind the control station (See Fig. 6.3.1) and the other in a fuse holder

located next to the battery (See figure 6.4.1).

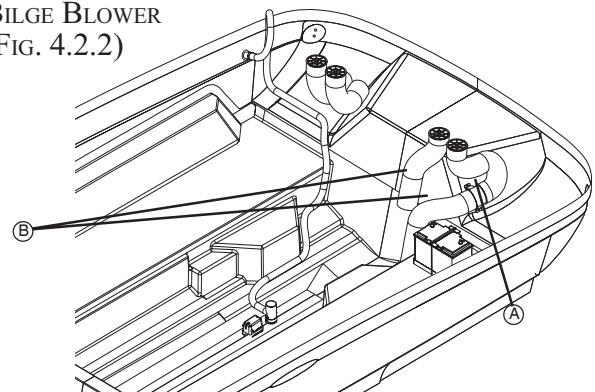
### 1. MAINTENANCE

Frequently inspect the area under the float switches to ensure they are free from debris and gummy bilge oil. To clean, soak in heavy duty bilge cleaner for 10 minutes, agitating several times. Check for unrestricted operation of the float. Repeat the cleaning procedure if necessary.

**Inspect the bilge pump intakes and keep them free of dirt or material which may impede the flow of water through the pump.** To clean the pump strainer, depress the lock tabs on both sides of the pump and lift the pump motor.

### D. BILGE BLOWERS

BILGE BLOWER  
(FIG. 4.2.2)



- (A) BLOWER
- (B) VENT HOSE

#### ! WARNING

**EXPLOSION/FIRE HAZARD – Run blower at least four (4) minutes before starting engine or generator. Check bilge and engine compartment for fumes.**

#### ! WARNING

**Do not allow obstructions to interfere with bilge blower or ventilation intake operation. Engine performance may be adversely affected.**





## SECTION 4 • BILGE & UNDERWATER GEAR

To prevent buildup of gasoline fumes to the explosive level in the engine compartment, the bilge blower must be run for at least four (4) minutes before starting the engine and kept running at all times when the engine is running to insure that there will be adequate ventilation when you are moving slowly.

The bilge blower is protected by a fuse in the electronic interface module located under the control station (See Fig. 6.5.3).

### E. ENGINE AND STERN DRIVE

#### 1. MAINTENANCE AND SERVICE

**Engine failure away from shore can be dangerous.** You must follow the recommended maintenance schedule to best ensure trouble-free operation of your engine and stern drive.

#### 2. VIBRATION & CAUSES

Some vibration is to be expected in your boat because of the action of the engines and the propeller. But excessive vibration indicates conditions which must be promptly corrected to avoid damage. The following are some conditions which may cause vibrations.

- Weeds, ropes, fishing lines, nets or your own trailing lines can become wrapped around the propeller and/or shaft, causing vibration and loss of speed. Always stop the boat, make sure it is clear to the rear, and then reverse the propeller after going through a weedy area to unwrap and clear away any weeds which may have accumulated. If this doesn't clear the entanglement, and you can't anchor or moor the boat in shallow water to get to the stern drive in the water, the boat will have to be taken out of the water.
- A badly damaged or distorted propeller or shaft is an obvious cause of vibration. Run at slow speed to shore. REPLACE IMMEDIATELY.
- If the engine mounts fail and the engine can contact the hull while it is running, vibration will

be felt. Run at slow speed to shore. REPLACE IMMEDIATELY.

#### 3. IMPACT TO STERN DRIVE

The stern drive can be damaged by impact, either while trailering or boating. To minimize the possibility of impact damage while trailering, keep the stern drive raised to the trailering position.

The hydraulic system used to raise and lower the stern drive can cushion impact and lessen damage from head-on impacts to the stern drive from underwater objects BUT ONLY when the boat is moving forward. There is no protection if the stern drive is struck during reverse operation or from an angle when moving forward.

If you strike a submerged object, STOP THE ENGINE as soon as possible and examine the stern drive unit for damage. Even if no damage is visible, there could be internal problems or difficulty maneuvering. If you must use the boat after impact, run at the lowest speed possible.

#### 4. PROPELLER REMOVAL AND INSTALLATION

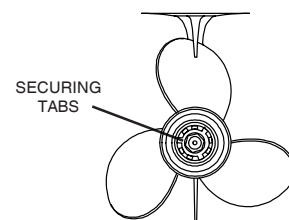
##### WARNING

If engine is started during propeller maintenance, serious personal injury can occur.

Shut off engine, remove key, shift into neutral, and put tape over ignition switch key slot.

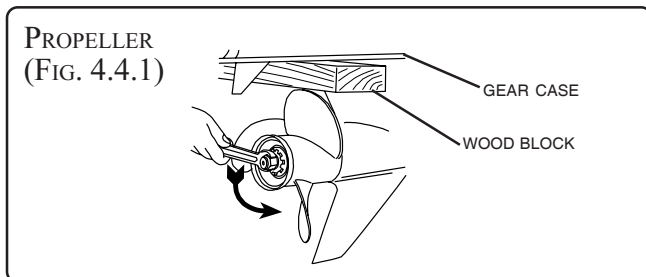
- a. Shut off engine, remove key, shift into neutral and put tape over ignition switch key slot.
- b. Straighten the bent tabs on the propeller nut retainer.

PROPELLER  
(FIG. 4.3.1)

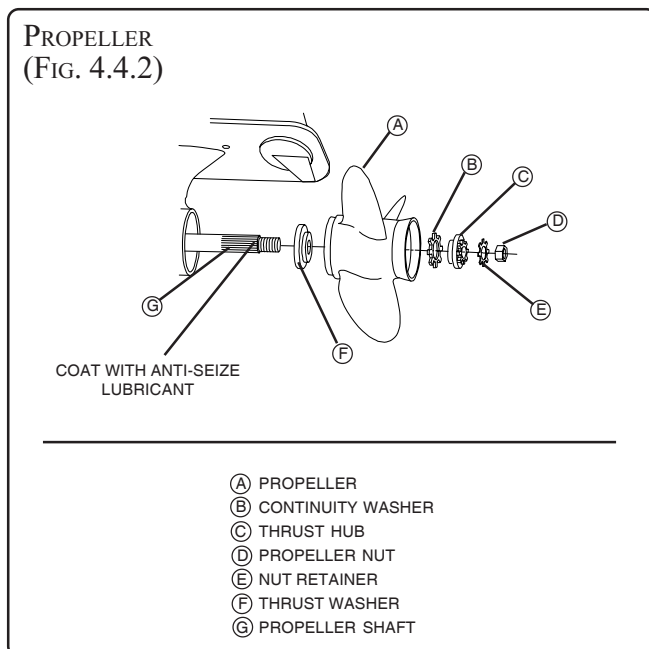


## SECTION 4 • BILGE & UNDERWATER GEAR

- c. Place a block of wood between the gear case and propeller to stop propeller from rotating and remove propeller nut.

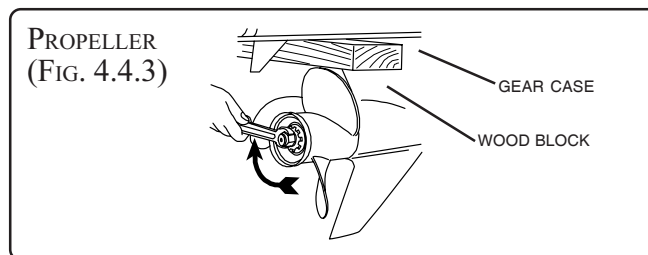


- d. Remove the propeller nut retainer, the thrust hub and the continuity washer and put them in a secure place. Pull the propeller straight off the shaft. Remove the thrust washer that is behind the propeller. If the propeller is seized to the shaft and cannot be removed by hand, special tools are needed. Have the propeller removed by an authorized dealer or trained mechanic.
- e. Coat the propeller shaft with an anti-seize lubricant.

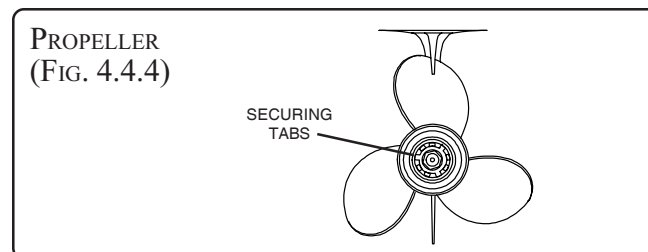


- f. Install the thrust washer, propeller, continuity washer, thrust hub, propeller nut retainer and the propeller nut onto the shaft.

- g. Place a block of wood between the gear case and the propeller and torque the propeller nut to recommended manufacturer's specifications. The correct propeller nut torque is given in your Engine Operator's Manual in the Owner's Manual Packet.



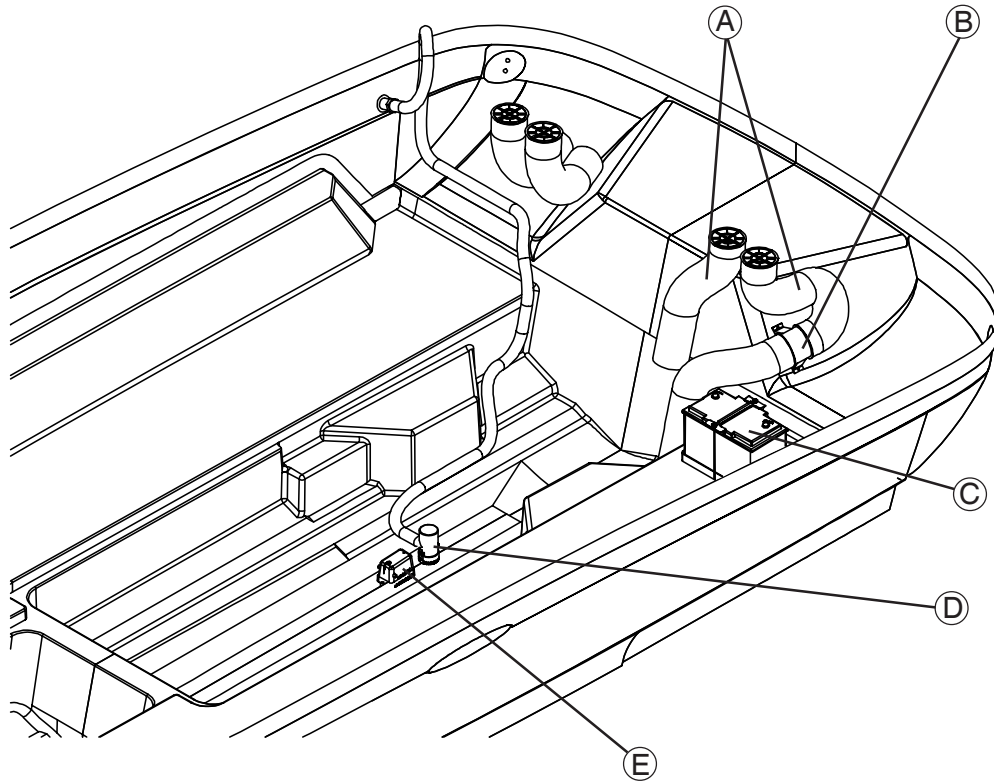
- h. Secure the propeller nut by bending three (3) of the tabs of the propeller nut retainer into the thrust hub grooves.



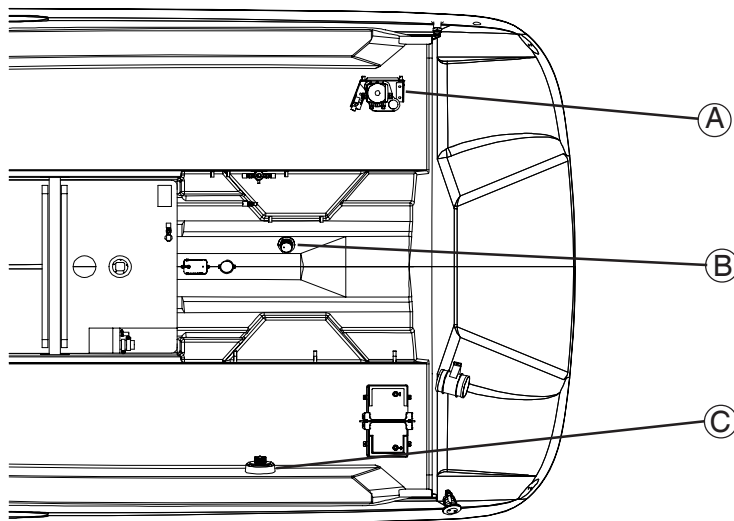
# SECTION 4 • BILGE & UNDERWATER GEAR

## F. BILGE LAYOUT

BILGE LAYOUT  
(FIG. 4.5.1)



- (A) BLOWER HOSE
- (B) BLOWER
- (C) BATTERY
- (D) BILGE PUMP
- (E) FLOAT SWITCH



- (A) POWER TRIM PUMP
- (B) DEPTH TRANSDUCER (OPTIONAL)
- (C) BATTERY SWITCH (W/ CE OPTION ONLY)



---

## SECTION 4 • BILGE & UNDERWATER GEAR

---

**THIS PAGE LEFT INTENTIONALLY BLANK**



# SECTION 5 • FUEL SYSTEM

## 1. FUEL SYSTEM

*Section 3 - Using Your Boat* contains important fueling information. Take time to read all the fuel related information in the owner's manual.

The 205 Sport standard gasoline fuel system consists of a 37 gallon (140 Liters) fuel tank, fuel tank vent, an anti-siphon valve, engine fuel supply line and fuel fill.

The fuel tank vent serves as a pressure/vacuum release and safety overflow. The fuel vent is located inside the fuel cap on the port side of the hull. Periodically check the vent to assure it is not clogged.

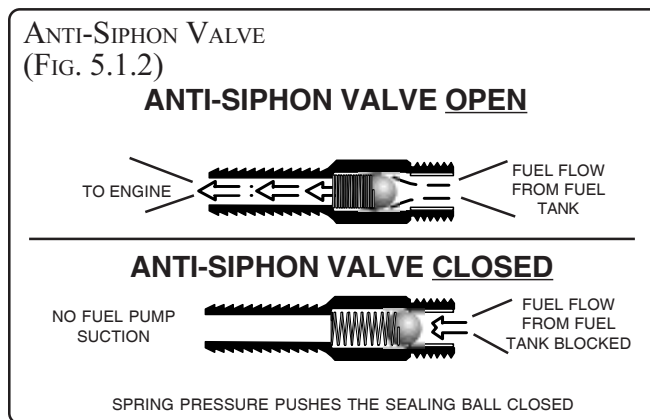
The gasoline engine fuel pickup at the fuel tank has an anti-siphon valve to prevent fuel from siphoning out in the event of fuel line failure.

### A. ANTI-SIPHON VALVE

#### ENGINES LESS THAN 5.0 LITER

On all engines less than 5.0 Liters the fuel pickups at the fuel tank has an anti-siphon valve to prevent fuel from siphoning out in the event of line failure

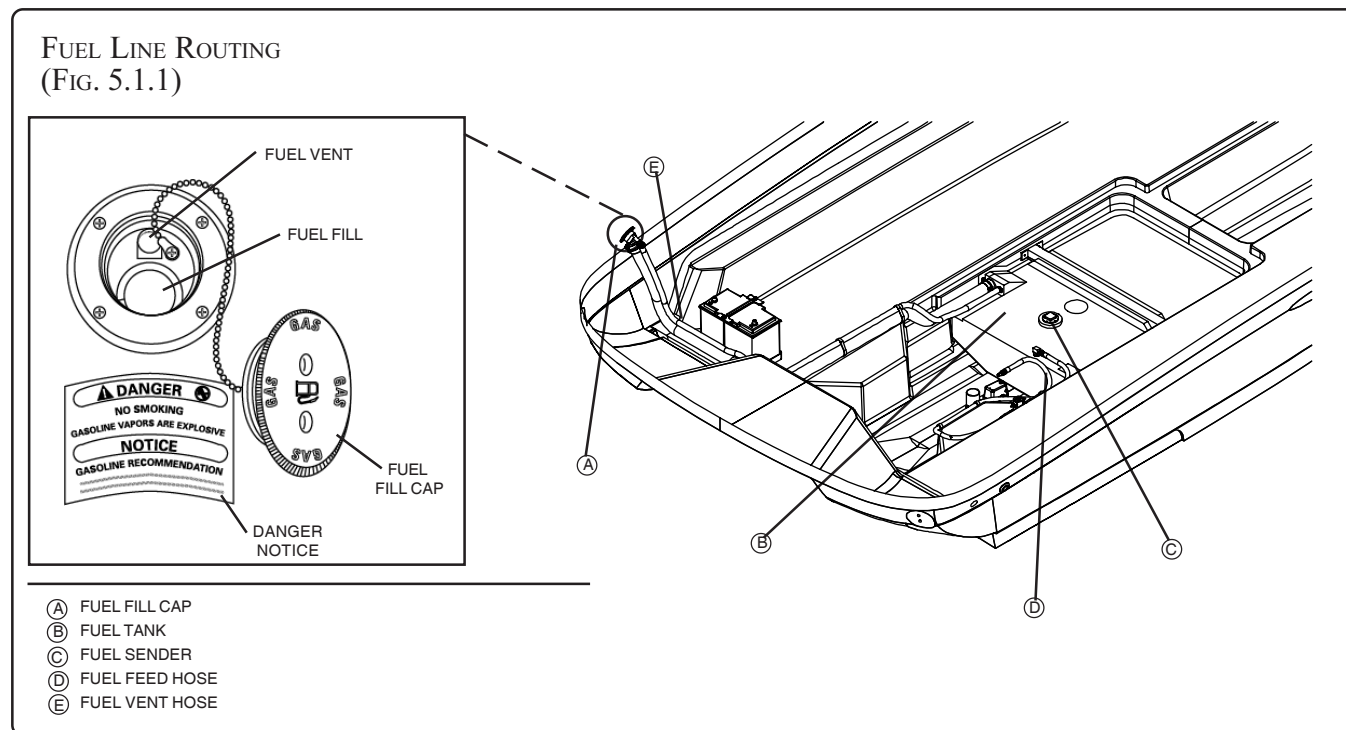
(see Fig. 5.1.2). In an emergency situation, remove the anti-siphon valve if the engine is not getting fuel. NOTE: Replace with new anti-siphon valve or fuel shut off valve as soon as possible as anti-siphon protection is required by federal law.



### B. ELECTRIC FUEL VALVES

#### ENGINES 5.0 LITER OR LARGER

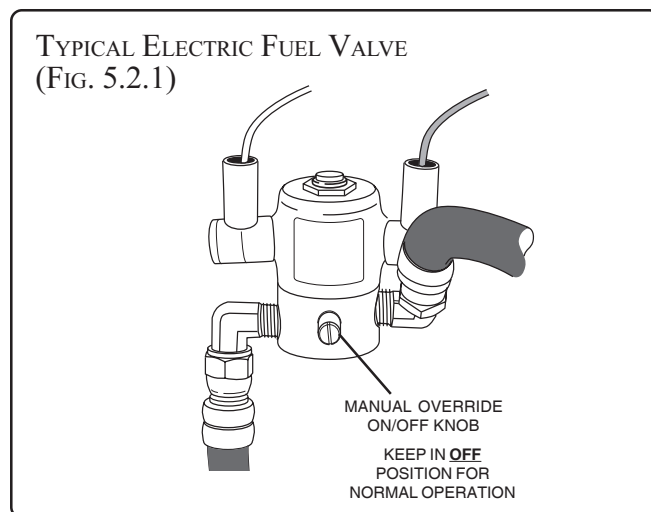
If your boat is equipped with a 5.0 Liter engine (standard) an electric fuel valve is installed, replacing the Anti-Siphon Valve used in boats with



## SECTION 5 • FUEL SYSTEM

smaller engines. The fuel valve is located in-line on the fuel hose between the fuel tank and the engine or generator. The valve is wired to the ignition switch. When the ignition is turned ON, the valve opens; when the ignition is turned OFF, the valve closes. The manual override knob on the side of the valve should be left in the OFF position at all times.

In the event of an electrical malfunction, the valve can be opened and closed manually by turning the manual override knob.



### 2. FUELING PRECAUTIONS

Certain precautions must be carefully and completely observed every time a boat is fueled. See figure 5.1.1 for fuel fill cap location.

#### A. GENERAL:

- Fuel during daylight.
- Check fill plate label to ensure fuel is placed only in fuel tank. The fuel fill plate is located on the aft port hull.
- Avoid spills.
- Know your fuel capacity and consumption. Record the amount of fuel used since your last fill up, and compute the engine's hourly fuel usage. As a fuel gauge backup check, deduct the average hourly fuel usage from fuel tank

capacity.

- Observe the "Rule of Thirds": one-third fuel for trip out, one-third for return and one-third for reserve.
- Allow an additional 15 percent fuel reserve when operating in rough seas.

#### B. BEFORE & DURING FUELING – CHECKLIST:

- Fire extinguisher – close at hand.
- Mooring – boat tied securely to fueling pier.
- Crew – at least one knowledgeable person present.
- Passengers – unnecessary people off the boat.
- Engines – stopped.
- Electrical equipment, including blowers – power off.
- Smoking material – extinguished.
- Inboard tanks – grounded.
- Filler pipe – marked GAS.
- Fuel nozzle – in contact with filler pipe to prevent static sparks.
- Fill level – fill less than rated capacity of tank; allow for fuel expansion.
- Trim – fuel weight distributed equally.

#### C. AFTER FUELING – CHECKLIST:

- Sniff test – if fuel fumes remain in engine box, operate blowers until fumes are gone.
- Fuel tank – secure filler cap.
- Spills – wipe; dispose of rags ashore.

#### ! CAUTION

Never start an engine until you are certain that fuel fumes are not present in the engine compartment or elsewhere in the boat.



# SECTION 6 • ELECTRICAL SYSTEM

## 1. ELECTRICAL SYSTEM

### A. DIRECT CURRENT (DC)

The 12 volt direct current (DC) electrical system (similar to that in your car or truck) derives its power from the battery. (Your boat may have two batteries if you choose that option.) An engine-driven alternator keeps the battery in a charged condition. The battery voltage is indicated by the voltmeter on the helm panel. The negative terminal of the battery is attached to the grounding studs of the engine.

Ask your dealer for a careful analysis of DC power needs on your boat. It may be necessary to add batteries or auxiliary charging methods to supply adequate power for any additional accessories you wish to add.

#### BATTERIES

#### DANGER

**DO NOT USE JUMPER CABLES IN THE ENGINE COMPARTMENT.**

**They can cause an explosion from sparks.**

#### DANGER

**A battery will explode if a flame or spark ignites the free hydrogen given off during charging.**

**Never use an open flame or strike sparks in the battery area.**

The battery installed in your boat has been selected for its ability to furnish starting power based on engine starting requirements, as well as its ability to power the DC accessories attached to the electrical system. Your Engine Owner's Manual indicates the recommended battery for the engine installed in your boat.

#### CAUTION

**To prevent arcing or damage to the alternator, always disconnect battery cables before doing any work on the engine's electrical system.**

To remove the battery cables:

1. Turn off all items drawing power from the battery.
2. Turn the battery switch to the OFF position (only with CE option).
3. Remove the negative cable first, then the positive cable. To replace the cables, first replace the positive cable, then the negative.

#### BATTERY MAINTENANCE

- Check the fluid levels in the cells approximately every 4 weeks, and weekly in summer and hot zones.
- The fluid level must be between the lower and upper markings.
- Replenish only with distilled water. Do not use metal funnel.
- Coat battery terminal clamps with silicone grease. Keep batteries clean and dry.

Battery life is shortened if it is drained to zero charge before recharging. It is recommended that a battery not be discharged more than 50 percent. If the battery does become run down, recharge it as soon as possible.

Running the engine to recharge the battery may not be effective. The alternator only creates charging power at higher engine speeds, so simply idling or trolling will not generate enough power to recharge the battery.

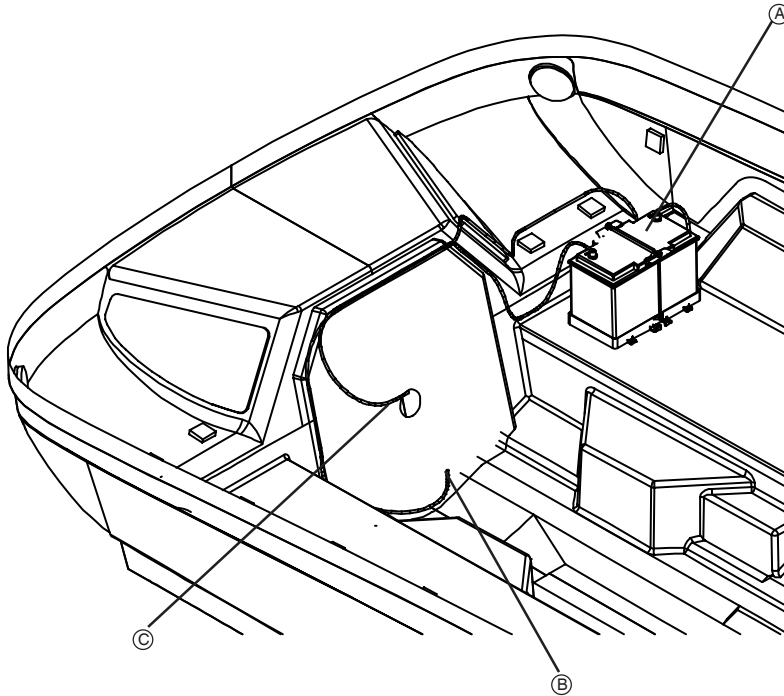
If you need to charge a battery, use only a battery charger designed to charge automotive/marine batteries. Use charger only when batteries are disconnected from the boat's electrical circuit. Follow the charger instructions.

If your boat will not be used for several weeks or more, remove the batteries from the boat and connect them to a charger.



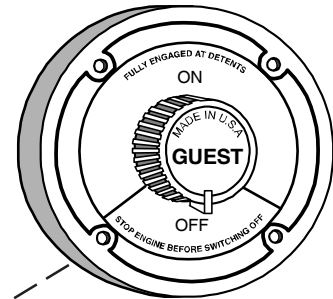
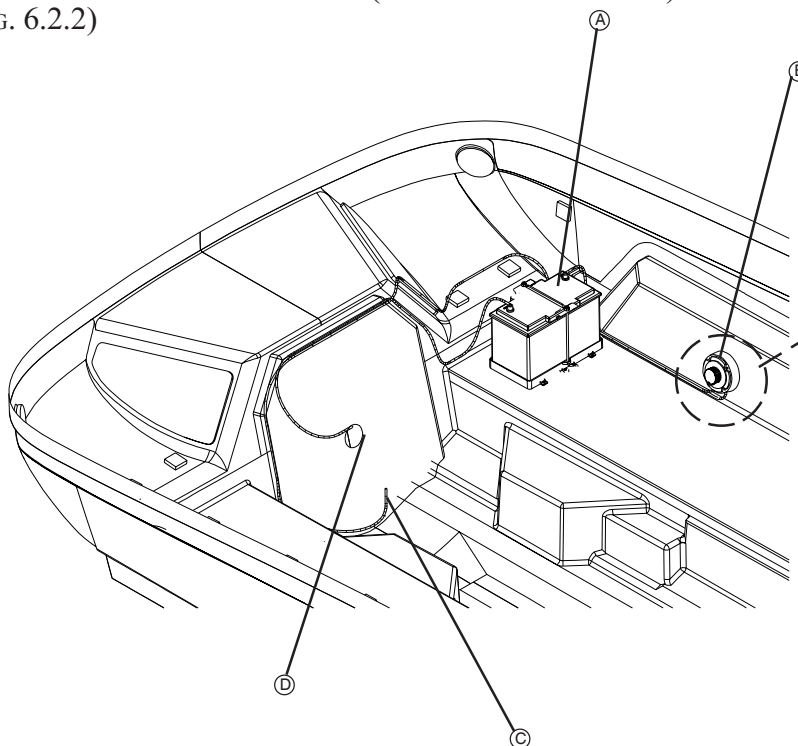
## SECTION 6 • ELECTRICAL SYSTEM

BATTERY CABLE ROUTING  
(FIG. 6.2.1)



- (A) BATTERY
- (B) ENGINE STARTER TERMINAL
- (C) NEGATIVE TERMINAL

BATTERY WITH BATTERY SWITCH (ONLY WITH CE OPTION)  
(FIG. 6.2.2)



- (A) BATTERY
- (B) BATTERY SWITCH
- (C) ENGINE STARTER TERMINAL
- (D) NEGATIVE TERMINAL





# SECTION 6 • ELECTRICAL SYSTEM

## B. BATTERY SWITCH (ONLY WITH CE OPTION)

The optional battery switch controls the delivery of DC power from the batteries to the engine and all equipment, lights and accessories using DC power. The battery switch is located on the port hull and can be accessed by raising the aft jump seat.

**NOTE:** The bilge pump and stereo memory are not shut off by the battery switch. This is to permit the bilge pump to operate at any time excess fluid accumulates in the bilge, which can occur when the boat is docked and unattended. The entire remaining DC system is turned off with the battery switch.

## 2. IGNITION PROTECTION

All electrical components in the engine compartment must be ignition-protected to avoid the possibility

**! DANGER**

**GASOLINE VAPORS CAN EXPLODE**

Use **ONLY** Marine-rated parts to replace such items as starters, distributors, alternators, generators, etc.

Do not use automotive parts for these components or any jumper cables because they are not ignition-protected and could cause a fire or explosion.

of creating sparks in a gasoline environment.

Protective terminal covers, such as rubber boots on electrical connections, must be in place when engine is operating or when working in the engine compartment.

Jumper cables are not ignition-protected. **DO NOT USE** jumper cables in the engine compartment. The engine compartment may accumulate dangerous explosive gasoline fumes/vapors and hydrogen gas from batteries being charged. A spark produced when connecting a jumper cable can cause an explosion.

## 3. FUSES

If you need to replace a fuse, **use only the same amperage as the original**. It is recommended that you carry spare fuses. See Fig. 6.3.1 for the proper fuse sizes.

If a fuse is replaced with one of lower amperage, it will not be sufficient to carry the electrical load of the equipment it is connected to and will cause nuisance fuse failure or breaker tripping.

**! WARNING**

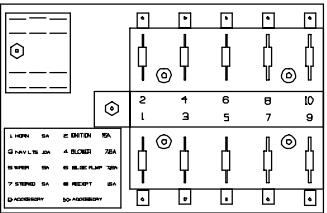
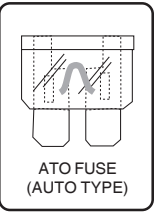
**Use of higher amperage fuses or breakers is a fire hazard.**

**Use fuses and breakers having the same amperage rating as the original or as specified.**

If a fuse is replaced with one of higher amperage, it will not provide adequate protection against an electrical malfunction and will create a fire hazard.

The fuses are color coded according to the amperage. The rating is marked on each fuse.

FUSES  
(FIG. 6.3.1)

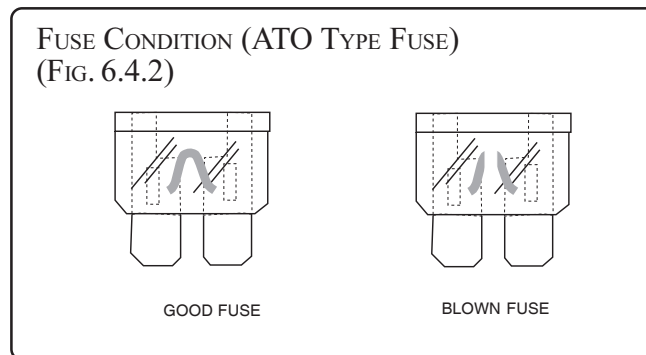
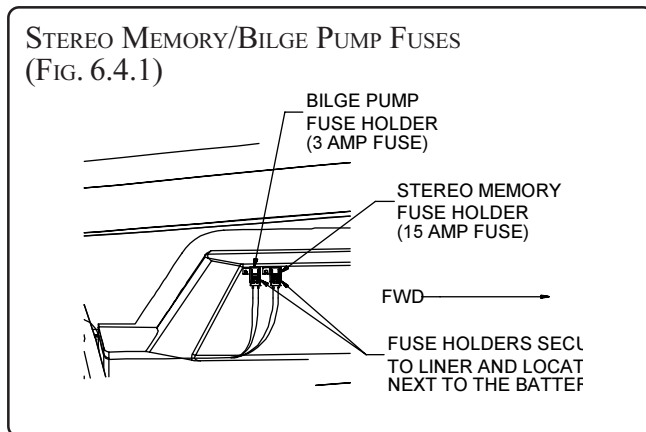



FUSE NAME	FUSE AMPERAGE 12VDC
1. HORN	5
2. IGNITION	15
3. NAV LIGHTS	10
4. BILGE BLOWER	7.5
5. WIPER	5
6. BILGE PUMP	7.5
7. STEREO	5
8. 12VDC RECEPTACLE	15
9. ACCESSORY	
10. ACCESSORY	



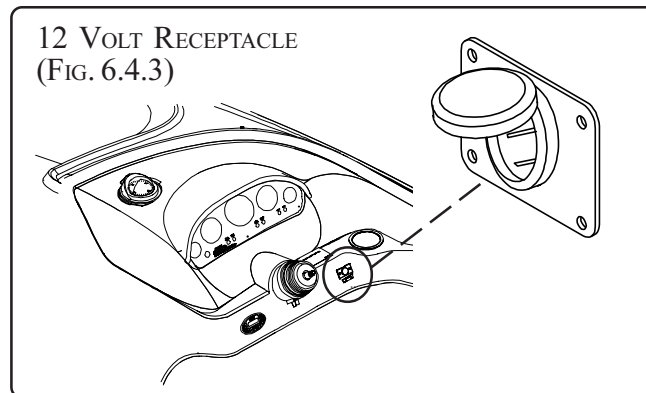
## SECTION 6 • ELECTRICAL SYSTEM

Fuses for the stereo memory and the bilge pump are located on the port hull under the optional battery switch and can be accessed by raising the aft jump seat.



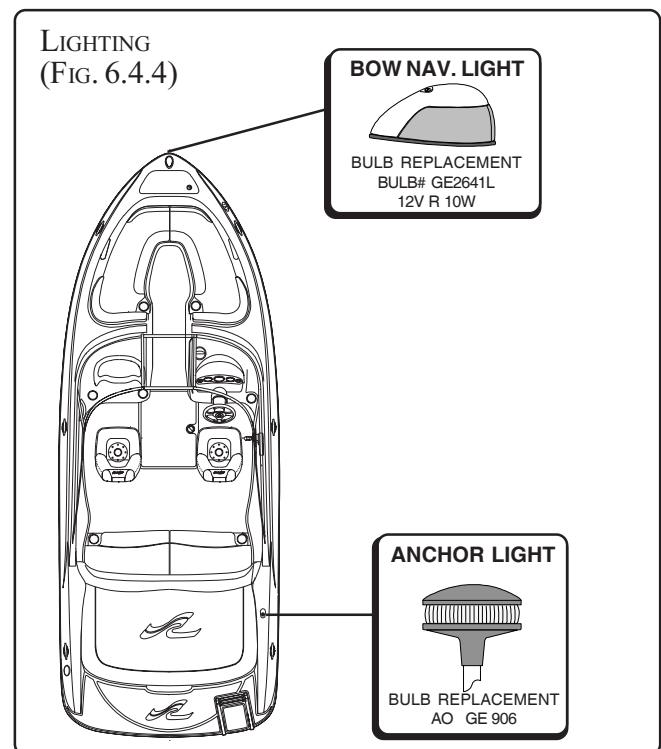
### 4. 12 VOLT ACCESSORY RECEPTACLE

Your boat has a 12 volt accessory receptacle at the control station, below the steering wheel. The receptacle is a cigarette lighter style plug that may be used with any 12 volt accessories using this type of plug.



### 5. LIGHTING

Your boat is equipped with a variety of different lighting fixtures. **Always replace a bulb using the type and wattage of the original bulb.**



### 6. ELECTROLYTIC CORROSION AND ZINC ANODES

Electrolytic corrosion of metals on power boats can result in rapid and serious deterioration of metal parts. You must set a regular schedule and look for the possibility of electrolytic corrosion (the deterioration of metals due to dissimilar characteristics when placed in salt water). It is your responsibility to check for and replace parts damaged due to electrolytic corrosion.

To minimize electrolytic corrosion of the metals on your boat, zinc anode plates are provided to protect underwater hardware. Zinc, being much less "noble" than the copper-based alloys and aluminum used in underwater fittings, will deteriorate first and protect the other metals.



---

## SECTION 6 • ELECTRICAL SYSTEM

---

Stern drives are fitted with zinc anodes on their lower units (refer to your Engine Owner's Manual for their locations).

Zinc anodes require replacement about every six months if the boat is operated in salt water. In fresh water, the zinc anodes can be replaced about once a year.

If the anodes deteriorate more rapidly than this, there is probably a stray current problem within the boat or at the slip or mooring.

If the anodes do not deteriorate, they are not protecting the other metallic parts of your boat. This can be caused by loose anodes or by low grade zinc or by not having a solid electrical contact between the anode and the metal it contacts, or by paint on the anode.

If the anodes are deteriorating rapidly, or not at all, contact your dealer.

<b>NOTICE</b>
<b>DO NOT PAINT BETWEEN THE ZINC AND THE METAL IT CONTACTS, AND DO NOT PAINT OVER THE ZINC.</b>

### 7. ELECTRICAL SCHEMATICS

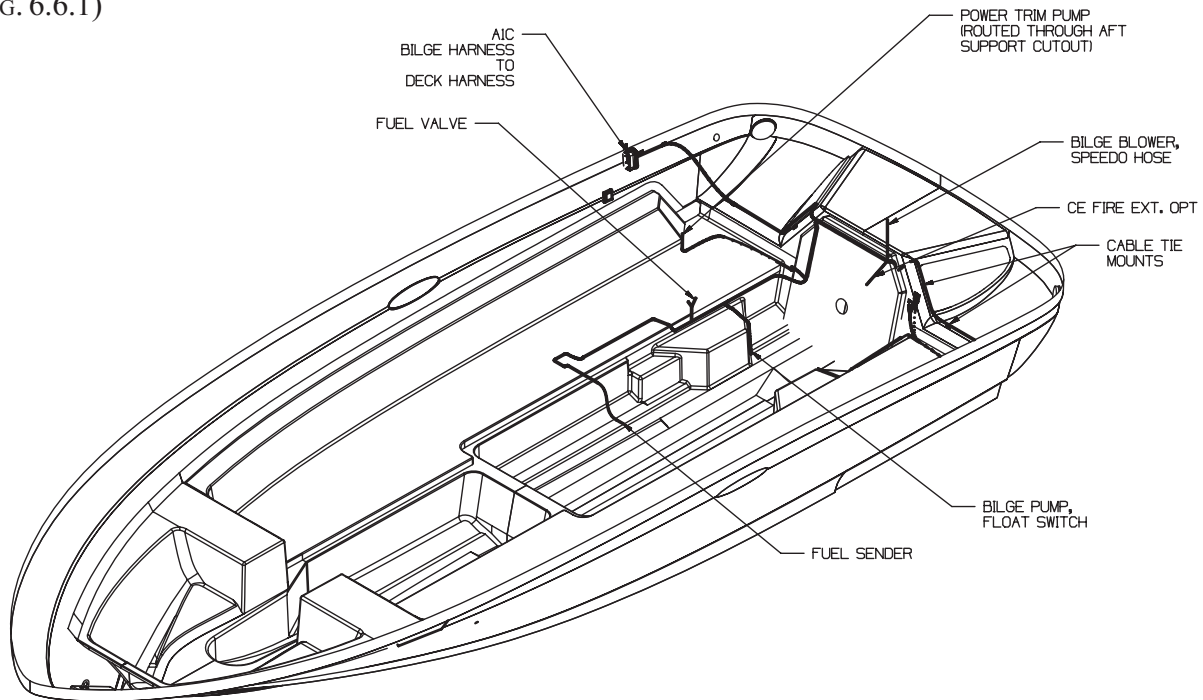
The following electrical schematics were generated by electrical CAD designers at the engineering division for technical reference and service technicians. Sea Ray® does not recommend that you attempt to work on the boat's electrical system yourself. Instead we recommend that you take your boat to your authorized Sea Ray® dealer for service. Sea Ray® reserves the right to change or update the electrical system on any model at any time without notice to the consumer and is NOT obligated to make any updates to units built prior to changes.



# SECTION 6 • ELECTRICAL SYSTEM

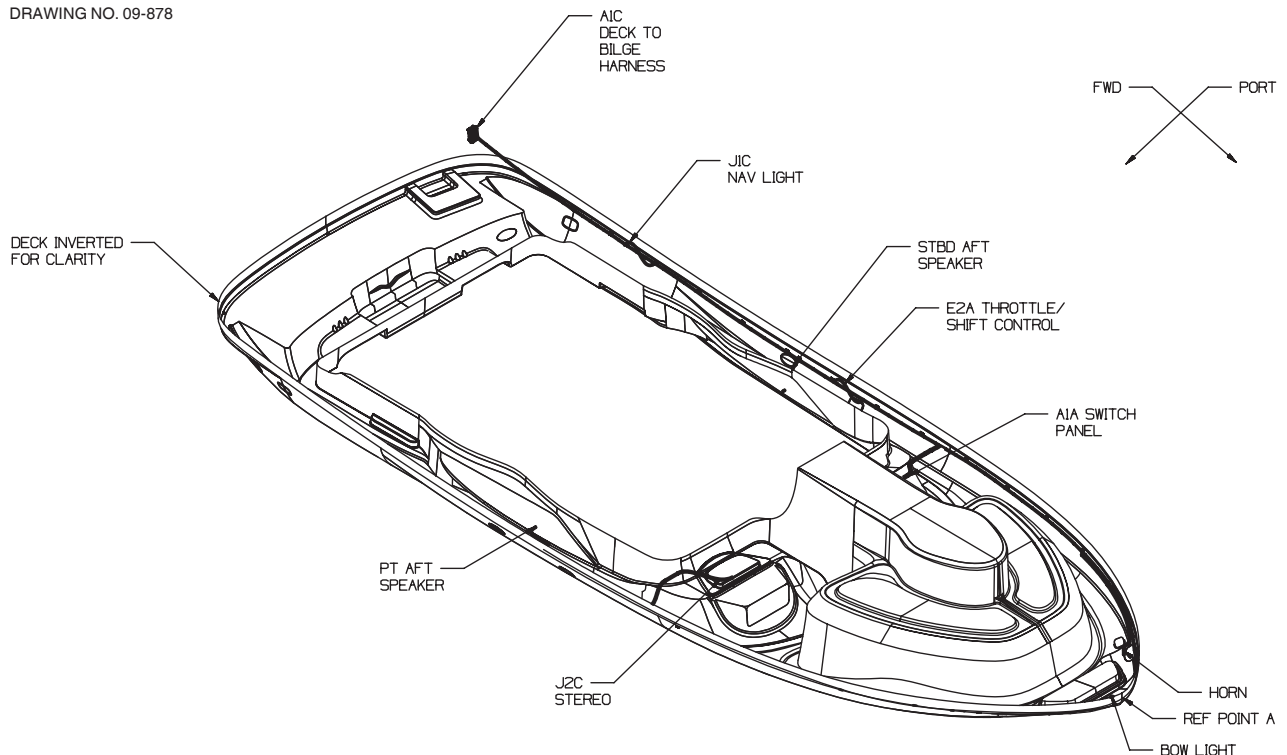
## ELECTRICAL SCHEMATICS

WIRE HARNESS  
(FIG. 6.6.1)



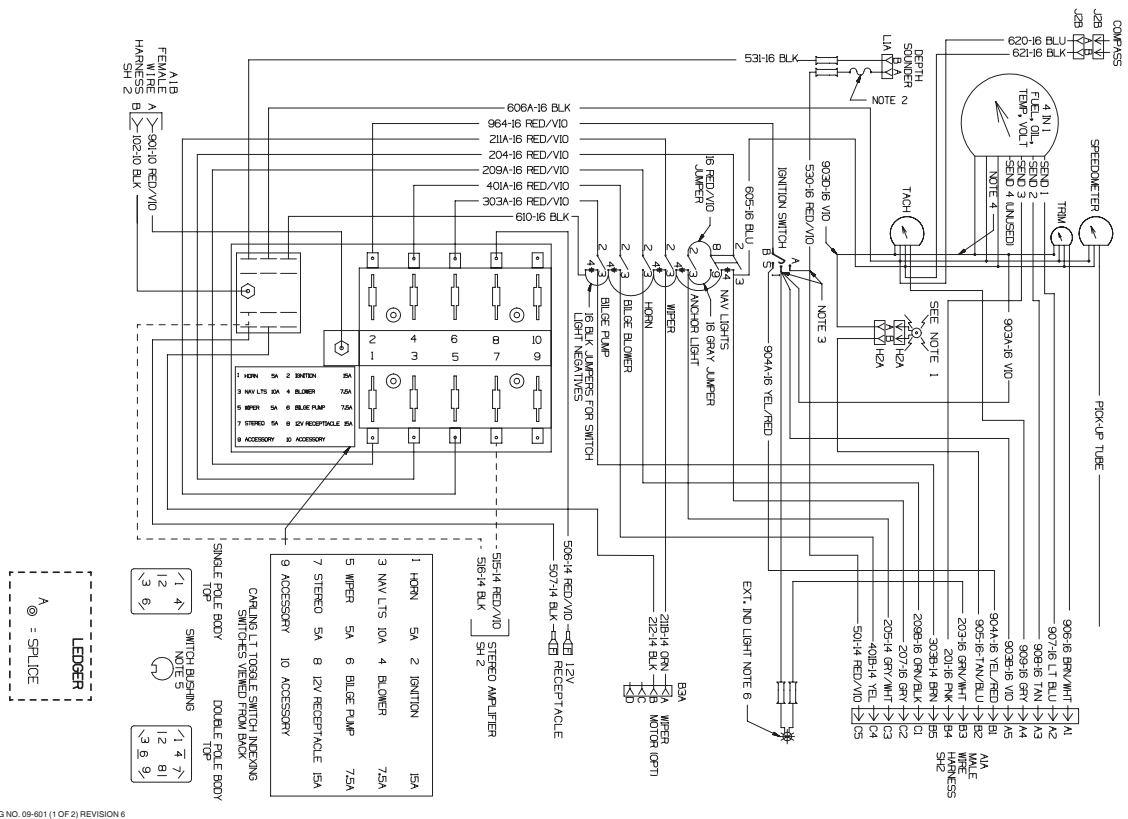
DRAWING NO. 09-871 REVISION 2

DRAWING NO. 09-878



# Electrical Schematics

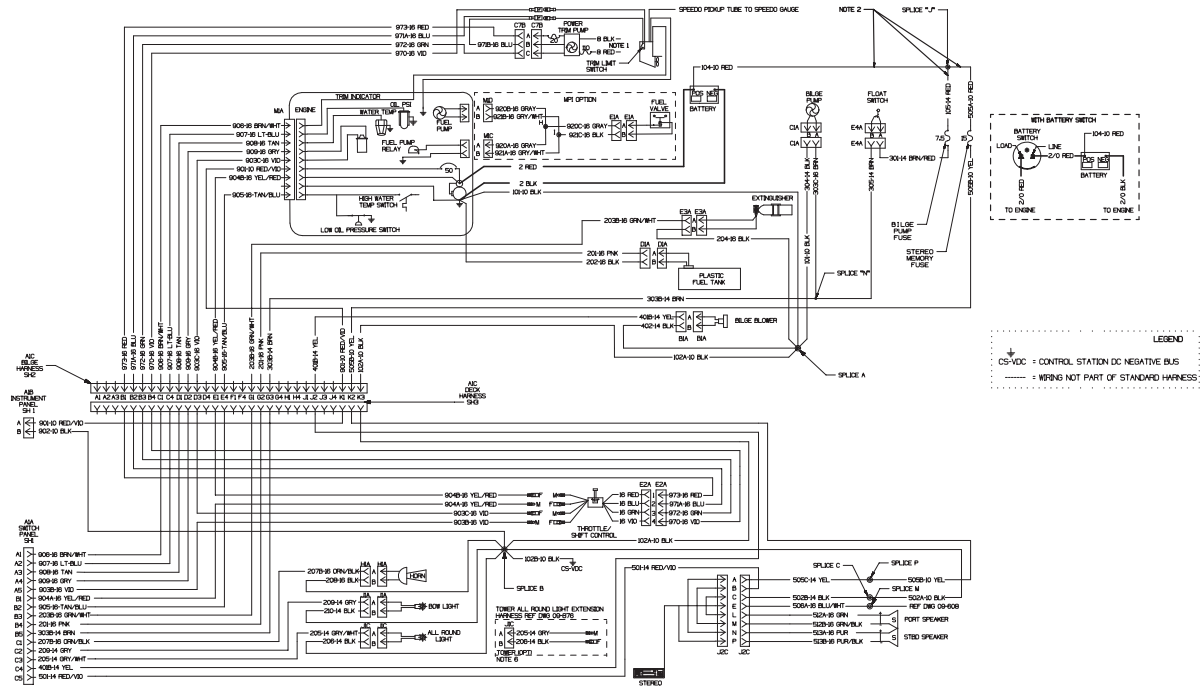
DC WIRING DIAGRAM  
(Fig. 6.7.1)



DRAWING NO. 09-601 (1 OF 2) REVISION 6

# Electrical Schematics

DC WIRING DIAGRAM  
(Fig. 6.8.1)



DRAWING NO. 09-601 (2 OF 2) REVISION 6

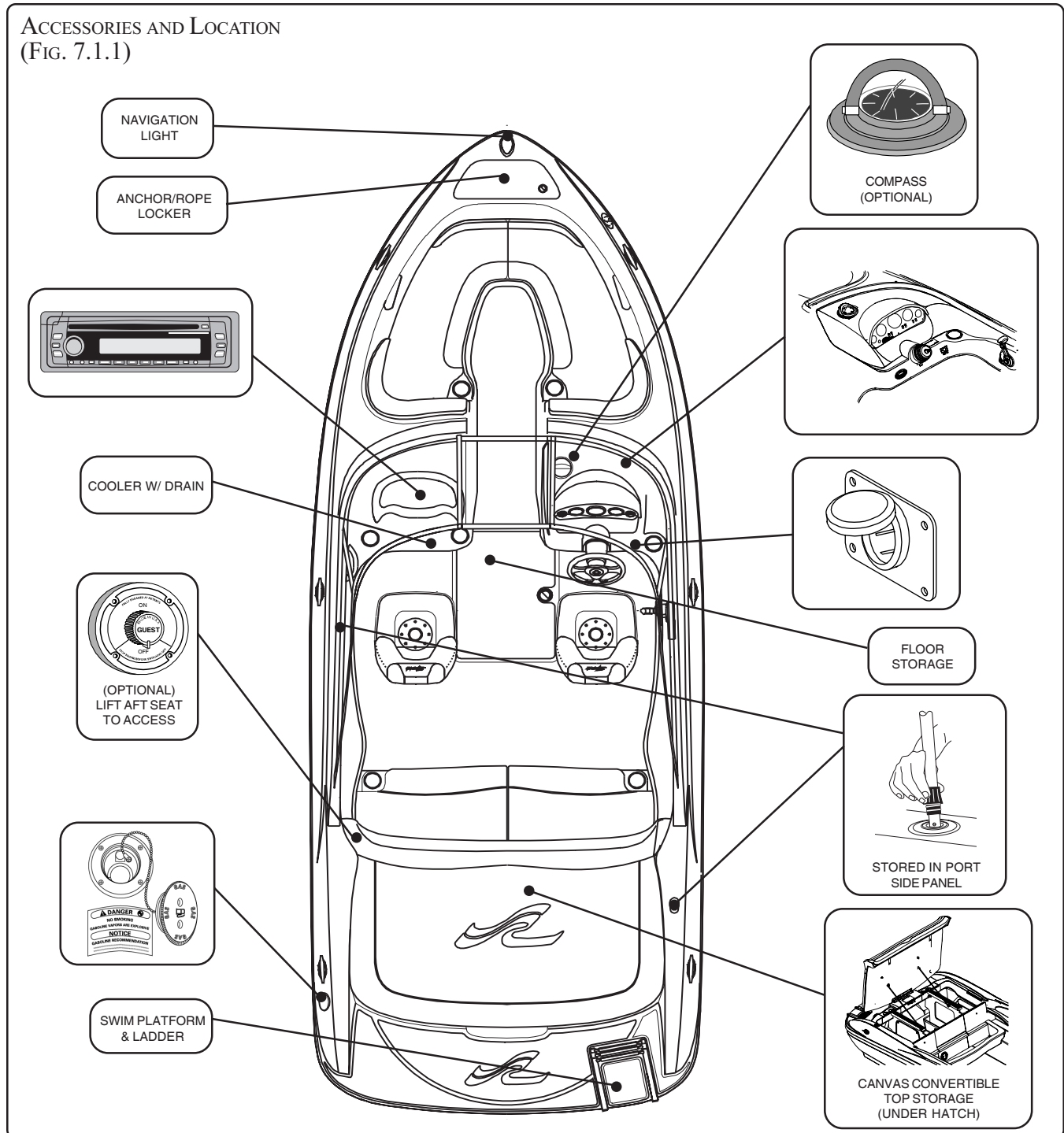
# SECTION 7 • OPTIONS & ACCESSORIES

## 1. BOAT LAYOUT AND ACCESSORY

### LOCATIONS

Figures 7.1.1 and 2.4.1 through 2.6.4 show the location and arrangement of the most important equipment and components on your boat. Using

these drawings, walk through your boat, locate the features shown, and become familiar with their operation and maintenance.



# SECTION 7 • OPTIONS & ACCESSORIES

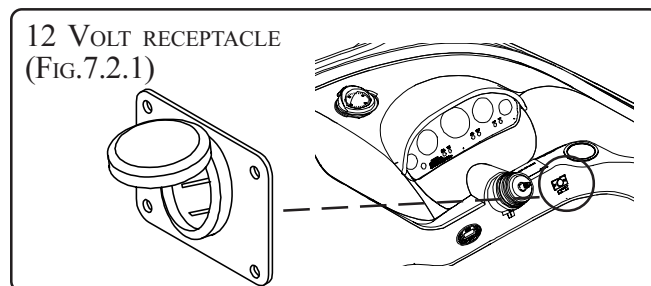
## 2. AFT SEAT

The port single aft seat serves as an entryway for boarding and disembarking the vessel. Remove the seat cushion from the seat to expose the nonslip surface for entry. The cushion can be stowed in the port hull storage cutout when not in use. When replacing the cushion ensure that the seat post is secured into the seat bottom receptor which will keep the cushion from dislodging while underway.

## 3. CONTROL STATION SEATING

The control station and companion seats feature a swivel function and slider on the control station only.

## 4. 12 VOLT RECEPTACLE



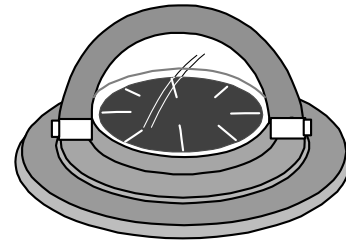
Your Sea Ray® is equipped with a 12 volt accessory receptacle located at the control station below the switch panel to the right of the steering wheel. The receptacle is a cigarette lighter type plug that may be used with any 12 volt accessories using this type of plug.

## 5. MAGNETIC COMPASS (OPTIONAL)

If equipped, your compass is located forward of the control station instruments (See figure 2.5.1) in line of sight of the operator.

When not in use, the compass should be protected from excessive and prolonged sunlight. If your compass becomes sluggish or erratic, it should be serviced by an authorized repair station.

MAGNETIC COMPASS (OPTIONAL)  
(FIG. 7.2.2)



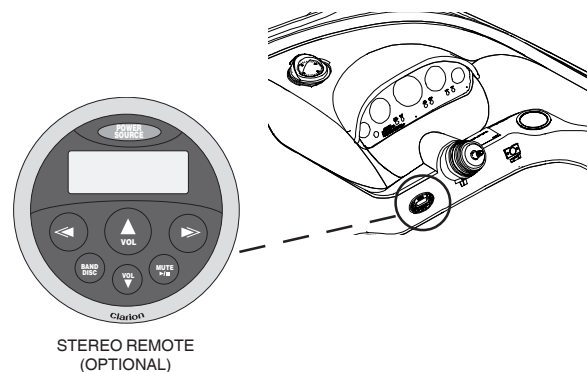
To keep the plexiglass dome free from scratches, remove salt deposits and dust with a damp cloth. An occasional treatment with paste wax will help preserve the dome surface.

REFER TO OWNER'S MANUAL PACKET FOR INSTRUCTIONS AND WARRANTY INFORMATION.

## 6. ENTERTAINMENT SYSTEM

The entertainment system on the 205 Sport consists of a 12V AM/FM radio, single CD unit located in the glove box on the port dash. The system includes two (2) waterproof speakers. The optional Premier Stereo upgrade also includes an amplifier, two (2) additional

ENTERTAINMENT SYSTEM  
(FIG.7.2.3)





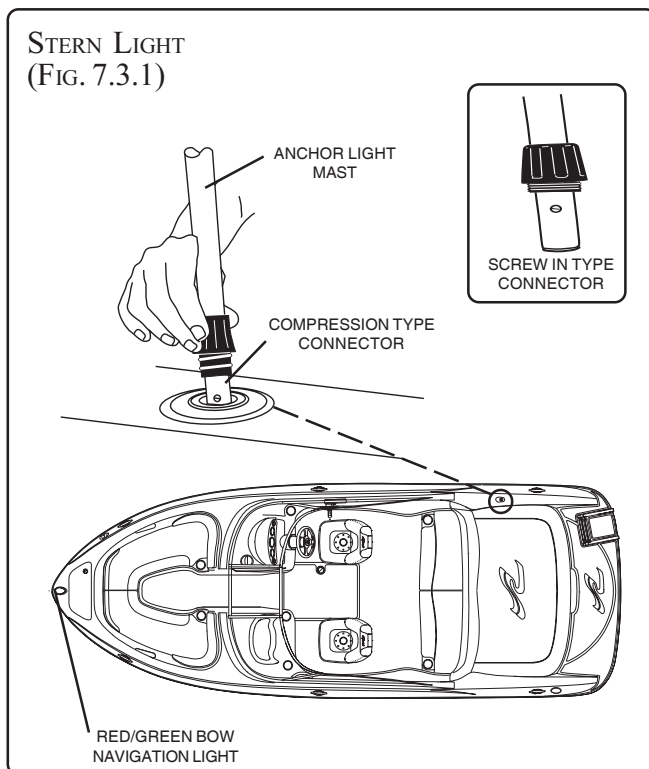
## SECTION 7 • OPTIONS & ACCESSORIES

speakers and a digital remote control.

### 7. NAVIGATION AND ANCHOR LIGHTS

Navigation lights **MUST** be on while underway from sunset to sunrise or in conditions of reduced visibility. "Underway" means the boat is not docked or at anchor. Trolling or drifting with engine off is considered "underway" and navigation lights must be used.

If you are anchored in open water, i.e. where other boats can approach yours, you must display your anchor light (Figure 2.10.1): a white light that can be seen from all possible directions, i.e. 360 degrees.



Read the "Federal Requirements and Safety Tips for Recreational Boats" provided in your kit.

### 8. WATER SPORT TOWER (OPTIONAL)

If equipped, the water sport tower provides a raised attached point (ski tow pylon) for the ski rope. The

high attach point enables the skier to perform a wide variety of skills not capable with the lower transom attach point (ski tow eye).

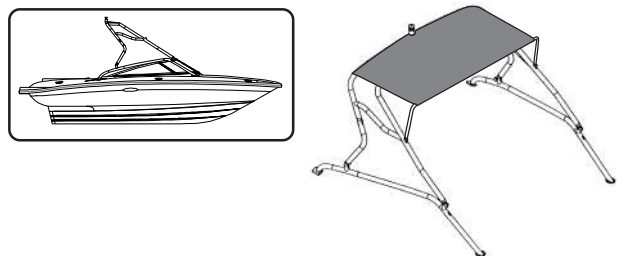
#### ⚠ WARNING

**DO NOT USE TOWER FOR PULLING INFLATABLES. Use water sports tower for single skier/wakeboarder only. Use ski tow or stern eyes on transom for all other tow behind sports. Heavy loads could collapse tower causing personal injury.**

#### ⚠ WARNING

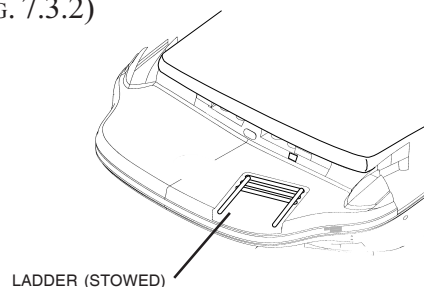
**DO NOT USE WATER SPORTS TOWER FOR TOWING ANOTHER BOAT OR BEING TOWED. TOWER COULD COLLAPSE AND CAUSE INJURY. SEE OWNERS MANUAL FOR INSTRUCTIONS ON TOWING.**

#### WATER SPORT TOWER (OPTIONAL) (FIG. 7.3.3)



The ski tow pylon is intended for use only when towing a single skier. If you are towing multiple skiers or water toys carrying more than one person use only the transom mounted ski tow eye.

#### SWIM PLATFORM LADDER (FIG. 7.3.2)



#### ⚠ DANGER

**TO AVOID RISK OF SERIOUS INJURY OR DEATH SHUT OFF ENGINE WHEN NEAR SWIMMERS OR PRIOR TO USING SWIM PLATFORM AND BOARDING LADDER.**



## SECTION 7 • OPTIONS & ACCESSORIES

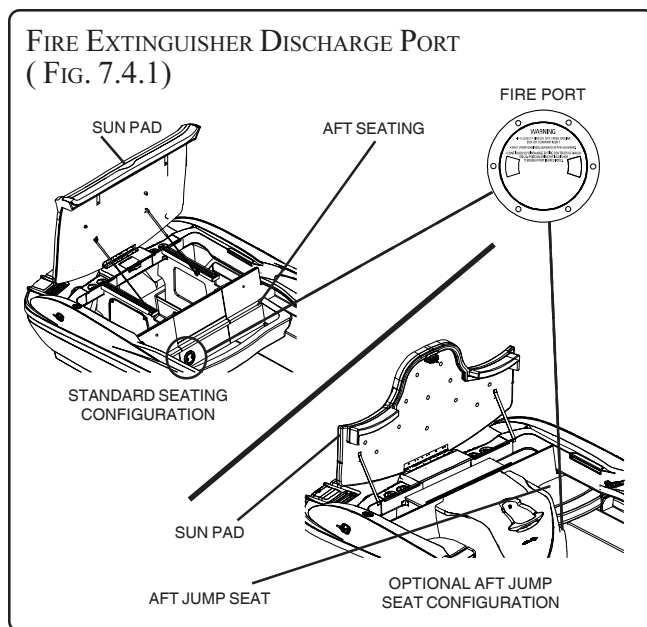
### 9. SWIM PLATFORM AND LADDER

The swim ladder is located on the stbd side of the swim platform. Unfold the ladder and drop into the water to assist swimmers in boarding the vessel.

### 10. FIRE EXTINGUISHER PORT

Boats not equipped with the automatic fire extinguisher option are equipped with a fire extinguisher discharge port. In the event of a fire, a fire extinguisher can be inserted through the port and discharged into the engine compartment without having to open the engine box. Do not open the engine compartment immediately! This feeds oxygen to the fire and flashback could occur.

IF A FIRE OCCURS, IMMEDIATELY SHUT DOWN ALL ENGINES, POWERED VENTILATION, ELECTRICAL SYSTEMS AND



#### ! WARNING

- In case of fire DO NOT open engine box or compartment.
- Shut down engine and blowers.
- Continuously discharge entire contents of portable fire extinguisher through port immediately.

EXTINGUISH ALL SMOKING MATERIALS. DO NOT IMMEDIATELY OPEN THE ENGINE COMPARTMENT!! THIS FEEDS OXYGEN TO THE FIRE AND FLASHBACK COULD OCCUR.

### 11. CANVAS

The Bimini or Convertible Top (optional) should not be used when the vessel speed exceeds 45 MPH. Damage to the boat or top may occur.

DO NOT have Bimini or Convertible Top installed

#### ! DANGER

If the cockpit is totally enclosed with canvas covers and curtains while the engine is running or boat is moving, carbon monoxide will build up and cause death or permanent injury.

Do not use the rear (aft) curtain or camper top while engine is running or boat is moving.

when trailering. Damage to boat or top may occur. Use cockpit cover with a mooring cover ONLY when trailering. If a mooring cover was not included with your Sea Ray, please see your dealer or local marine supply store.

Attached to the inside of the Bimini Top is a DANGER tag for Carbon Monoxide Gas (CO) buildup and a WARNING tag for limiting speeds when Bimini Top canvas is installed. The rear (aft) curtain also has a WARNING tag stating "The Aft Curtain must not be used while engine is running or boat is underway". If your canvas does not have these tags, they become lost or are unable to be

#### ! DANGER

Exhaust fumes from engines contain deadly carbon monoxide gas (CO). Boats enclosed with canvas or with poor ventilation are most likely to collect fumes.

CO sickness symptoms include headache, nausea and dizziness. Do not mistake these symptoms for sea sickness.

Ventilate boat. See Section 1.4, Carbon Monoxide, for more details.



## SECTION 7 • OPTIONS & ACCESSORIES

read, contact your dealer for replacement labels.

For your safety, decide which canvas pieces you want to remove or install before you leave the boat slip or off-load your boat from the trailer into the water. Removing or installing canvas on the water can be difficult since rough water or wakes can cause you or your passengers to lose their balance while attempting canvas removal or installation.

For safety and ease of installation and removal of canvas, use at least two people. Know which canvas piece(s) that you are to install or remove.

The optional canvas package for the 205 Sport consists of a convertible top with boot, aft curtain, side curtains, cockpit cover, tonneau cover and a canvas storage bag.

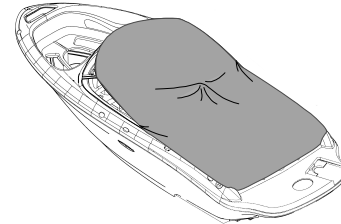
The following individual canvas options are available:

Bimini Top w/ Boot  
Cockpit & Tonneau Covers w/ Storage Bag

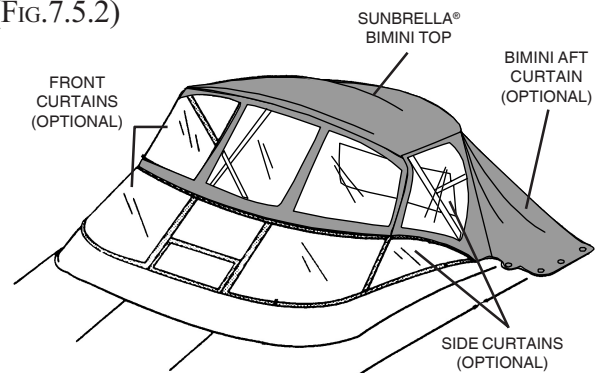
### A. INSTALLATION TIPS

- **Zippers:** Zippers are located on each canvas piece. Make sure canvas is centered over the metal canvas support rods (bows). When attaching any canvas piece, zip the zippers only partially. This helps to hold the piece in place and relieves tension, helping the other sides zip or snap easier. After all the sides of the piece are snapped in place, finish zipping all the zippers. This will ensure a tight fit.
- **Adjustable Support Rods:** Adjustable support rods are located on the Convertible and Bimini Top. There is an outside tube and an inside tube. Push in the button to adjust for longer or shorter rod lengths.

COCKPIT COVER  
(FIG.7.5.1)



BIMINI TOP  
(FIG.7.5.2)



### DANGER

**In rainy weather and/or cold weather, fresh air must circulate through boat to avoid carbon monoxide poisoning.**

**See Section 1.4, Carbon Monoxide, for more details.**



---

## SECTION 7 • OPTIONS & ACCESSORIES

---

### **B. TRAILERING WITH CANVAS**

To trailer your boat with the cockpit cover installed, you must install a mooring cover over the cockpit cover with tie down straps tightened. If a mooring cover was not included with your Sea Ray, please see your dealer or local marine supply store. The Convertible or Bimini Top, side curtains and rear (aft) cover, however, must be removed when trailering. Damage will occur to canvas and to the metal rods (bows) or boat if attached to boat while trailering.

### **C. CANVAS CARE AND MAINTENANCE**

See Section 9, page 9.2, for instructions on the care and maintenance of your canvas.



# SECTION 8 • REQUIRED INSPECTION, SERVICE AND MAINTENANCE

Routine inspection, service and maintenance of your boat's systems are vital to assure your safety, as well as for prolonging the life of your boat. You should develop regular routines for inspecting your boat. The chart below summarizes inspection, service and maintenance activities. This section also contains descriptions of some convenient methods for evaluating the condition of some of your boat's systems.

The interval between necessary service or maintenance is highly variable, depending on the environment your boat is in, and on the severity of operating conditions. For example, corrosion of parts on boats operated in salt water proceeds much faster than the corrosion of parts on a boat operated in fresh water. The intervals listed below are recommended maximums, and you must reduce the time between inspections if your observations indicate the need.

## 1. SUMMARY GUIDE FOR INSPECTION, SERVICE AND MAINTENANCE

ITEM	REQUIRED MAINTENANCE/SERVICE	REFERENCE SOURCE	INTERVAL				
			BEFORE EVERY USE	AFTER FIRST 20 HOURS	EVERY 25* OR 50 HOURS	EVERY 50* OR 100 HOURS	EVERY 6 MOS. OR ANNUALLY
<b>Battery</b>	Check water level	Owner's Manual p. 6.1	•	•	•		
<b>Bilge Area</b>	Clean and check	Owner's Manual p. 4.1					•
<b>Bilge Blowers</b>	Hose connections tight	Owner's Manual p. 4.2			•		•
<b>Bilge Pump</b>	Float switch operates freely	Owner's Manual p. 4.1					•
<b>Canvas</b>	Clean	Owner's Manual p. 9.2	As Needed				
<b>Controls</b>							
<i>Steering</i>	Check for proper operation		To be done by Sea Ray dealer every six months				
	Power steering oil level	Engine Manual	•				
<i>Throttle</i>	Lubricate. Include all shift linkage and pivot points	Engine Manual		•		•	•
<b>Electrical</b>							
<i>Connections</i>	Check for looseness		To be done by Sea Ray dealer annually				
<b>**GFCI (120V) Outlet</b>	Check for operation	Not on this boat					•
<b>Engine</b>							
<i>Alarm</i>	Check	Engine Manual	•				
<i>Cooling System</i>	Check for leaks	Engine Manual	•				
<i>Connections</i>	with engine running						
<i>Crankcase ventilating system</i>	Clean	Engine Manual		•		•	
<i>Drive belts</i>	Check	Engine Manual	•				
<i>Exhaust System</i>	Check for leaks	Engine Manual	•	•		•	
<i>Flame Arrestor</i>	Clean	Engine Manual		•		•	
<i>Fuel Filter</i>	Replace	Engine Manual				•	
<i>Mounts (Fasteners)</i>	Tighten	Engine Manual		•			•
<i>Oil and Filter</i>	Replace	Engine Manual				•	•
<i>Oil Level</i>	Check	Engine Manual	•				
<b>Fuel System</b>							
<i>Connections &amp; Lines</i>	Check for leaks	Engine Manual	•	•	•		
<i>Tanks</i>	Check for leaks	Engine Manual	•	•	•		
<i>Water Separating Fuel Filter</i>	Replace	Engine Manual		•			•

\*Use in salt water or other severe operating conditions requires shorter maintenance/service intervals

\*\*May not be on your boat



# SECTION 8 • REQUIRED INSPECTION, SERVICE AND MAINTENANCE

## SUMMARY GUIDE FOR INSPECTION, SERVICE AND MAINTENANCE

ITEM	REQUIRED MAINTENANCE/SERVICE	REFERENCE SOURCE	INTERVAL				
			BEFORE EVERY USE	AFTER FIRST 20 HOURS	EVERY 25* OR 50 HOURS	EVERY 50* OR 100 HOURS	EVERY 6 MOS. OR ANNUALLY
<b>Propeller</b>	Inspect for damage		Always after striking object				
<b>Seaworthiness</b>							
<i>Bilge drain plug</i>	Installed and tight	Owner's Manual p. 4.1	•				
<i>Hull damage</i>	Check for loose, damaged or missing parts		Always after striking object				
<i>Stern drive</i>							
<b>Stern Drive</b>							
<i>Fluid level</i>	Check level	Engine Manual	•				
<i>Fluid</i>	Replace	Engine Manual					•
<b>Topside &amp; Supplies</b>	Check for loose, damaged or missing parts	Owner's Manual p. 8.4					•
<b>Transmission</b>							
<i>Oil Strainer Screen</i>	Clean		To be done by Sea Ray dealer annually				
<b>Trim Tabs</b>							
<i>Fluid</i>	Check and add as needed	Trim Tab Manual		•			
<b>Zincs (Also see **Mercathode System)</b>							
<i>Stern drive</i>	Check and replace needed	Owner's Manual p. 6.6	Every 25 hours of operation				
<i>Trim Tabs</i>	Check fluid level	Owner's Manual p. 6.6	Every 25 hours of operation				

*\*Use in salt water or other severe operating conditions requires shorter maintenance/service intervals*

*\*\*May not be on your boat*



---

# SECTION 8 • REQUIRED INSPECTION, SERVICE AND MAINTENANCE

---

## 2. INSPECTION, SERVICE AND MAINTENANCE PROTOCOL

### A. BILGE AREA

Many of your boat's systems have critical features located in the bilge area. A thorough and organized inspection of the bilge area will address many of these critical features. For example, engine oil leaks and fuel system leaks will show themselves as contamination on the surface of the liquid that remains in the bilge. When you see such contamination, you should look for its source.

Once or twice a year, pump the bilge areas dry and remove all loose dirt. Be sure that all the limber holes are open. Limber holes are the openings in the stringers that allow water to flow from the outboard areas of the bilge to the bilge sump.

Check the bilge pump float switch by moving it manually. (See figure 4.1.2) The bilge pump should start when the float switch is raised and should stop when lowered. If it does not, have it replaced before using your boat. The float switch should also move freely without sticking, if it does not, have it serviced or replaced before boating.

#### WARNING

**DO NOT USE FLAMMABLE SOLVENTS** to clean any part of the bilge.

**Fumes can accumulate and can be the source of an explosion.**

### 1. OIL

If there is oil contamination, look for leaks in engine oil lines and engine gaskets. If parts of the bilge have been stained by oil, the stain can be removed using a bilge cleaner available from your dealer or a marine store.

### 2. ENGINE

Engine failure or malfunction, when away from shore, can be dangerous. Make certain you do the

following each time you use the boat:

- Wipe off the engine to remove accumulated dust, grease and oil.
- Check all exposed nuts, bolts and screws for tightness.
- Inspect the belts for wear. If they do not require replacement, check and adjust the belt tension according to the engine manufacturer's recommendation.
- Inspect engine wiring, and clean and tighten the terminals on the engine electrical system.
- Clean and lubricate the battery cables.
- Add distilled water to the battery cells as needed.
- Refer to your Engine Operator's Manual for additional engine maintenance requirements.

### 3. FUEL SYSTEM

- Inspect the entire fuel system for evidence of leakage, including the fuel tank fill lines and vents. Any stain around a joint could be an indication of a leak.
- Test all fittings with a wrench to be sure they are not loose, but do not forcefully overtighten the fittings.
- Clean fuel filters and vent screens.

### 4. WIRING SYSTEM

#### WARNING

**Work on electrical wiring can create shock hazards or sparks.**

**Always shut off battery switch, breakers and/or pull fuses before checking electrical wiring or connectors.**

- Check all wiring for proper support.
- Check all wiring insulation for signs of fraying or chafing.



---

# SECTION 8 • REQUIRED INSPECTION, SERVICE AND MAINTENANCE

---

- Check all terminals for corrosion - corroded terminals and connectors should be replaced or thoroughly cleaned.
- Tighten all terminals securely and spray them with light marine preservative oil.

## 5. FITTINGS, HOSES AND CLAMPS

- Inspect the entire bilge area for evidence of damage or deterioration. Evidence of deterioration will first appear around hull fittings, hoses and clamps.
- Straighten kinked hoses.
- Replace any hose that does not feel pliable.
- Check all hose clamps for tightness and corrosion. Corroded clamps must be replaced.
- Check the nuts, bolts and screws that retain equipment, hoses, etc. in the bilge for tightness and corrosion. Corroded fasteners must be replaced.

## B. TOPSIDE AND SUPPLIES

Once a year, you should undertake a thorough review of the topside equipment, as well as of the critical safety supplies on your boat.

- Check cleats, rings, rails, etc. for loose or corroded fasteners, breaks, sharp edges or other conditions that could lead to malfunction or unsafe use. Repair or replace as necessary.
- Inspect PFDs (life jackets) for tears and deterioration.
- Make certain you have enough PFDs on board for the maximum number of persons you can carry.
- Check your first aid kit, making certain it is complete and that the items in it have not passed an expiration date.
- Check the signaling equipment and emergency flares. Make sure all items are within their expiration dates.

- Inspect the anchor, mooring and towing lines. Repair or replace as required.
- Check fire extinguishers for full charge.

## 3. WINTERIZATION CHECKLIST FOR BOATS STORED ON LAND

### A. BOAT STORAGE

- Store boat in a bow high attitude.
- Remove hull drain plug.
- Pour one (1) pint (half-liter) of 50% water/antifreeze mixture in each bilge pump sump..

### B. ENGINES

- Flush engines with fresh water.
- Remove engine drain plugs.

REFER TO YOUR ENGINE OPERATOR'S MANUAL FOR DETAILED INFORMATION ON PREPARING THE ENGINES FOR STORAGE AND WINTERIZATION.

### C. BATTERY

- Remove from boat. Remove the negative (-) cable first, then the positive (+) cable.
- Remove grease and dirt from top surface.
- Grease terminal bolts.
- Store on wooden pallet or thick plastic in a cool dry place. Do not store on concrete.
- Keep under a trickle charge.
- When placing battery back into service, remove excess grease from terminals, recharge as necessary and reinstall in boat.

### F. FUEL SYSTEM

#### GASOLINE:

- Fill fuel tank with gasoline and the recommended





---

# SECTION 8 • REQUIRED INSPECTION, SERVICE AND MAINTENANCE

---

amount of stabilizer and conditioner such as “Stabil®”.

- Run engine(s) for ten minutes to ensure that all gasoline in the carburetor and fuel lines are treated.



## CAUTION

Do not overfill. Filling a tank until the fuel flows from vents is dangerous. Allow room for expansion.

DETAILED WINTERIZING, OPERATING INSTRUCTIONS AND WARRANTY INFORMATION ARE PROVIDED BY THE EQUIPMENT MANUFACTURER AND CAN BE FOUND IN THE OWNER'S PACKET.

## 4. FITTING OUT AFTER STORAGE

### A. FUEL SYSTEM

Check the entire fuel system for loose connections, worn hoses, leaks, etc. and repair. This is a primary safety precaution.

Check fuel lines for damage and make sure that they do not come in contact with any moving parts.

### B. BATTERY

Before installing the batteries, clean the terminal posts with a wire brush or steel wool and then attach the cables. After the cable clamps are tightened, smear the post and clamps with vaseline or grease to exclude air and acid. Do not apply grease before attaching and tightening the terminal clamps. Examine all wiring.

### C. MISCELLANEOUS

- Check all thru-hull fittings for unobstructed water passage. Be alert for any deteriorated hoses and/or fittings below the water line which
- Test the navigation lights.
- Check all wiring for loose connections.

- Check all switches and equipment for proper operation.
- Check bilge blowers for proper operation. Turn ON blowers and place hand over hull blower vent to make sure air is coming from vent.
- Anchor lines and gear should be inspected and replaced if necessary.
- Make sure the hull drain plug is in place and tight.
- Clean bilge thoroughly if it was not done at lay-up.
- Check all engine fluid levels.
- Check fuel lines for damage and/or leaks. Make sure that they do not come into contact with moving parts.

## 5. SECURITY CONSIDERATIONS

Be conscious of the security of your boat. Always remove the keys from the ignition, lock hatches, lock the cabin door, remove and stow any removable electronic gear (fishfinders, LORAN, etc.) and personal gear (fishing poles, etc.) normally left aboard your boat.

## 6. POWER STEERING SYSTEM MAINTENANCE

- Lubricate the control valve on the power steering cylinder through the grease fitting with multipurpose lubricant until grease appears around the rubber boot.
- Coat power assist steering output shaft and exposed steering cable end with appropriate lubricant.
- Lubricate cable end guide pivot point with SAE 30W engine oil.
- Check power steering fluid level in the power steering pump reservoir.



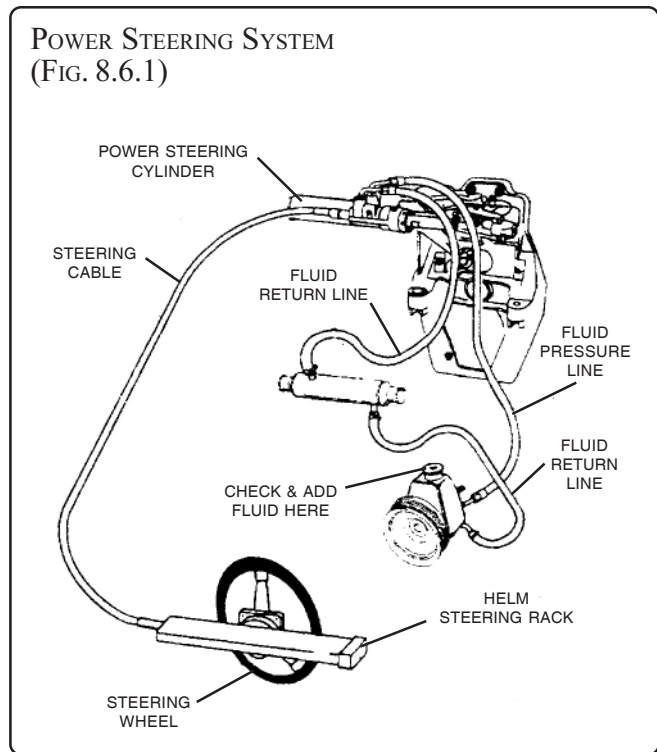
## SECTION 8 • REQUIRED INSPECTION, SERVICE AND MAINTENANCE

- Inspect all hydraulic hoses for leaks. Keep hoses from rubbing on moving parts and from contact with hot engine parts.
- Check all fittings, clamps and bolts for tightness every month.
- Check power steering pump drive belt for wear and proper tension every month. Do not overtighten belt. This can cause bearing failure.

REFER TO THE ENGINE OPERATOR'S MANUAL FOR PROPER FLUID LEVELS AND LUBRICANTS.

Sea Ray® recommends that all repairs and/or replacements to steering systems be made by qualified dealers authorized by manufacturer of the steering system of your boat.

DETAILED OPERATING INSTRUCTIONS AND WARRANTY INFORMATION ARE PROVIDED BY THE EQUIPMENT MANUFACTURER AND CAN BE FOUND IN THE OWNER'S PACKET.



---

## SECTION 9 • CARE & REFINISHING

---

Your new boat has been designed to provide you with years of enjoyment and satisfaction. In order to maintain the factory new appearance of your boat, we recommend the use of 3M™ Marine's one step Maintenance and Reconditioning Products designed specifically for pleasure boats. Following proper fiberglass maintenance guidelines will help maintain your boat's performance, value, and enjoyment.

### 1. PAINT CLEANING AGENTS & OTHER SUBSTANCES

#### WARNING

##### EXPLOSION/FIRE HAZARD

Care and refinishing materials may contain ingredients that are flammable or explosive. Do not use such materials in the bilge

Shut off electrical power and ventilate when using such materials anywhere on the boat or in the cabin.

Do not create sparks or use lighted materials.

Do not use products containing chlorine, phosphates, perfumes and nondegradable ingredients. Consult your marine dealer regarding environmental regulations before painting the hull. Fumes can last for hours, and chemical ingredients can harm people, property and the environment. Common household cleaning agents may cause hazardous reactions. Read and understand directions on all paint, cleaning and polishing materials before using.

### 2. FIBERGLASS & GELCOAT

The fiberglass hull, deck and some interior parts consist of a molded shell and exterior gelcoat. The gelcoat is the outer surface, often colored, that presents the shiny smooth appearance associated with fiberglass products. This gelcoat surface is painted or taped in some areas for styling purposes.

Wash the gelcoat and fiberglass regularly with clean, fresh water. Wax gelcoated surfaces to maintain the

luster. In northern climates, a waxing at the start and end of the boating season may suffice. In southern climates, an application of wax every three months will be required for adequate protection.

#### WARNING

Gelcoat surfaces are slippery when wet.

Always wear nonslip footwear securely fastened to your feet and hold on to rails or the boat structure.

#### WARNING

Waxed surfaces are slippery.

Do not wax areas that are usually walked on.

REFER TO THE "3M® ONE STEP MAINTENANCE AND RECONDITIONING PRODUCTS" PAMPHLET IN YOUR OWNER'S MANUAL PACKET FOR INSTRUCTIONS AND WARRANTY INFORMATION.

### 3. STAINS & SCRATCHES

Although gelcoat and painted surfaces are resistant to deep stains, a need for cleaning will occasionally arise. But, the use of some common cleaning agents will permanently discolor or otherwise damage the finish on your boat.

- Do not use abrasive porcelain-cleaning powders. These are too abrasive and contain chlorine and ammonia, either of which will permanently discolor gelcoat and paint.
- Never use nail polish remover (acetone) or any ketone solvents.
- Use diluted household detergents to remove surface soil and stains. Before using a given brand, check to make sure it contains no chlorine or ammonia.
- Alcohol can be used to remove difficult stains. But it must be promptly washed off with mild detergent and water.
- Minor scratches and deeper stains that do not penetrate the gelcoat may be removed by light sanding and buffing.



---

## SECTION 9 • CARE & REFINISHING

---

### 4. PERMANENTLY MOORED OR DOCKED BOATS

If permanently moored in salt water or fresh water, your boat will collect marine growth on its bottom. This will detract from the boat's beauty and greatly affect its performance. There are two methods of preventing this:

- Periodically haul the boat out of the water and scrub the bottom with a bristle brush and a solution of soap and water.
- Paint the hull below the waterline with a good grade of antifouling paint. **DO NOT paint the engine drive surfaces.**

**NOTE:** There are EPA regulations regarding bottom paint application. Consult your Sea Ray® dealer for proper application methods.

### 5. TOPSIDE AREAS

#### A. STAINLESS STEEL AND ALLOY FITTINGS

Stainless steel and alloy fittings should be cleaned with soap and water or household glass cleaner. Remove rust spots as soon as possible with a brass, silver or chrome cleaner. Irreversible pitting will develop under rust that remains for any period of time. Never use an abrasive like sandpaper or steel wool on stainless. These may actually cause rust. To help protect the stainless, we recommend the use of a good car wax.

#### B. SALT CRYSTALS

When instruments are exposed to a saltwater environment, salt crystals may form on the bezel and the plastic covers. These salt crystals should be removed with a soft, damp cloth; never use abrasives or rough, dirty cloths to wipe plastic parts. Mild household detergents or plastic cleaners can be used to keep the instruments bright and clean.

REFER TO THE OWNER'S MANUAL PACKET FOR INSTRUCTIONS AND WARRANTY INFORMATION.

### 6. ACRYLIC PLASTIC SHEETING (PLASTIC GLASS)

**Never use a dry cloth or duster or glass cleaning solutions on acrylic.**

To clean acrylic, first flood it with water to wash off as much dirt as possible. Next, use your bare hand, with plenty of water, to feel and dislodge any caked dirt or mud. A soft, grit-free cloth may then be used with a nonabrasive soap or detergent. A soft sponge, kept clean for this purpose, is excellent. Blot dry with a clean damp chamois.

Grease and oil may be removed from acrylic with kerosene, hexane, white (not aviation or ethyl) gasoline or aliphatic naphtha (no aromatic content).

**Do not use solvents such as acetone, silicone spray, benzine, carbon tetrachloride, fire extinguisher fluid, dry cleaning fluid or lacquer thinner on acrylic, since they attack the surface.**

Remove fine scratches with fine automotive acrylic rubbing and polishing compounds.

### 7. CANVAS AND CLEAR VINYL

**Do not fold or store any of the canvas pieces while wet.** All canvas should be rolled or folded when dry and stored in a clean, dry place. For clear vinyl pieces, the recommended methods for storage are rolling or laying down flat. The clear vinyl should never be folded or creased as cracking will result. To protect the clear vinyl from rubbing against itself while rolled or stored flat, place a piece of very soft, nonabrasive cloth between the pieces. If the surface of the clear vinyl becomes scratched, the canvas manufacturer has provided a canvas care sheet located in your Owner's Manual Packet. When storing the rear (aft) curtain, fold the canvas over the clear vinyl window (do not fold clear vinyl), then roll or store flat.

The fabric should be cleaned regularly before substances such as dirt, pollen, etc. are allowed to accumulate on and become embedded in the fabric. The fabric can be cleaned without being removed from the installation.



---

## SECTION 9 • CARE & REFINISHING

---

Simply brush off any loose dirt, particles, etc.; hose down and clean with a mild solution of a natural soap in lukewarm water (no more than 100°F, 38°C); rinse thoroughly to remove soap. **DO NOT USE DETERGENTS.** Allow to completely dry.

Wash and clean vinyl windows with a warm soap solution. Use a soft cloth or sponge and do not scratch the surface.

If you have stubborn cleaning cases, call your dealer for proper procedures. Do not try your own cleaning procedures as they may permanently damage the canvas.

After each use, especially in salt water areas, rinse the canvas completely with fresh cold water. Then let the canvas dry completely before stowing.

All metal components of the canvas should be rinsed with fresh cold water and exposed components wiped dry to maintain appearance and working order.

### 8. EXTERIOR UPHOLSTERY FABRIC

Exterior fabrics should be cleaned with a sponge or very soft scrub brush and a mild soap and warm water solution. After scrubbing, rinse with plenty of cold, clean water and allow the fabric to air dry in a well ventilated place, preferably away from direct sunlight.

Mildew can occur if your boat does not have adequate ventilation. Heat alone will not prevent mildew; you must also provide for fresh air circulation.

REFER TO THE OWNER'S MANUAL PACKET FOR INSTRUCTIONS AND WARRANTY INFORMATION.

### 9. INTERIOR UPHOLSTERY FABRIC

Cleaning and maintenance information provided by the material manufacturer, is in your Owner's Manual Packet.

#### NOTICE

**Always clean spots, stains, etc., immediately. Test an unseen area of fabric before cleaning stain, to insure that cleaning material will not cause damage.**

REFER TO THE OWNER'S MANUAL PACKET FOR INSTRUCTIONS AND OTHER CLEANING INFORMATION.



---

## SECTION 9 • CARE & REFINISHING

---

**THIS PAGE LEFT INTENTIONALLY BLANK**



---

# INDEX

---

## SYMBOLS

12 Volt Accessory Receptacle ..... 6.4, 7.2

## A

Accessories. *See* Layout: Accessory Locations

## B

Batteries. *See* Electrical System - DC: Batteries

Battery Switch ..... 3.5

## Bilge

Bilge Pump Maintenance ..... 4.2

Blowers ..... 3.5, 4.2

Float Switch ..... 4.1

Layout ..... 4.5

Maintenance ..... 8.3

Pumps ..... 4.1

Switches, Bilge Pump & Blower ..... 4.1

*See also* Layout: Helm Gauges & Switches

Boarding ..... 3.3

Boat Storage ..... 8.4

Builder's Plate ..... 1.6

## C

Cable Routing. *See* Hose and Cable Routing

Canvas ..... 7.4

Care & Cleaning ..... 9.2

Care & Maintenance ..... 7.6

Installation ..... 7.5

Trailing ..... 7.4, 7.6

Carbon Monoxide ..... 1.2, 7.4

Certifications ..... iv

CE ..... iv

NMMA (National Marine Manufacturers Assoc.) ..... iv

Cigarette Lighter. *See* 12 Volt Accessory Receptacle

Cleaning ..... 9.1

Cleats ..... 2.1

Compass ..... 2.9, 7.2

*See also* Layout: Helm Gauges & Switches

Controls. *See* Gear Shift and Throttle Control

## D

Dealer Responsibilities ..... iii

Deck. *See* Layout: Deck

Dimensions ..... 2.3

Diving ..... 1.10

Docking ..... 2.1, 9.2

Drain Plug ..... 4.1

## E

Electrical System - DC ..... 6.1

Batteries ..... 6.1

Battery Cable Routing ..... 6.2

Battery Switch ..... 6.3

Schematics ..... 6.5

Wire Harness Routing ..... 6.6

Wiring System Maintenance ..... 8.3

Emergency Situations ..... 1.11

## Engines

Engine Alarm System ..... 2.8

Maintenance ..... 4.3, 8.3

Starting ..... 3.4

Storage/Winterization ..... 8.4

Vibration ..... 4.3

Entertainment System ..... 7.2

## F

Failure: Propulsion, Control or Steering ..... 1.12

Fire. *See* Emergency Situations

Fire Extinguisher ..... 1.2

Fire Extinguisher Port ..... 7.4

Fire Extinguishing System ..... 1.2

Flooding ..... 1.12

Fuel System ..... 5.1

Anti-Siphon Valve ..... 5.1

Electric Fuel Valves ..... 5.1

Fuel Gauge ..... 2.9, 3.5

*See also* Layout: Helm Gauges & Switches

Fuel Line Routing ..... 5.1

Fueling ..... 3.2, 5.2

Maintenance ..... 8.3

Storage/Winterization ..... 8.4

Fuses ..... 6.3

## G

Gear Shift and Throttle Control ..... 2.7, 3.5, 3.6

Grounding ..... 1.12

## H

Helm. *See* Layout: Helm Gauges & Switches

Hose and Cable Routing ..... 3.7, 5.1, 6.2, 6.6

## Hull

Through-Hull Cutouts ..... 2.6

Hull Identification Number (HIN) ..... iv

## I

Ignition System ..... 2.8, 3.5

Ignition Protection ..... 6.3

Inspection ..... 8.1

Instrument/Switch Panel. *See* Layout: Helm Gauges & Switches

## L

Launch Checklist ..... 3.1

## Layout

Accessory Locations ..... 7.1

Deck ..... 2.4

Helm Gauges & Switches ..... 2.5, 7.2

Lifesaving Equipment .....	1.4
<i>See also</i> Personal Flotation Devices (PFD's)	
Lifting .....	2.1
Lights, Navigation and Anchor .....	2.10, 6.4, 7.3
Load Capacity .....	1.5

## O

OEM .....	i
Oil Pressure .....	2.9, 3.5
<i>See also</i> Layout: Helm Gauges & Switches	
Owner's Manual Packet .....	i

## P

Parts. <i>See</i> Service	
Personal Flotation Devices (PFD's) .....	1.2, 1.4, 3.4
Power Capacity .....	1.6
Power Steering. <i>See</i> Cable Routing	
Power Steering System .....	8.5
<i>See also</i> Steering System	
Power Trim .... 2.7. <i>See also</i> Layout: Helm Gauges & Switches	
Effects of .....	2.8
Propellers .....	2.3
Removal and Installation .....	4.3
Propulsion System .....	2.2

## R

Recommended Equipment .....	1.5
Repair. <i>See</i> Service	
Requirements	
International Requirements .....	1.13
Required Equipment .....	1.2

## S

Safe boating .....	1.1
Safety Labels .....	1.1
<i>See also</i> Warning Label Locations	
Security Considerations .....	8.5
Service and Maintenance .....	iv, 8.1
Skiing .....	1.10, 7.3
Sources of Information .....	iii

Spillage, Fuel & Oil .....	4.1
Stability .....	1.6
Stainless Steel .....	9.2
Stains .....	9.1
Steering System .....	3.6, 8.5
Stereo Memory .....	6.4
Stern Drive .....	2.3. <i>See also</i> Engines
Swim Platform and Ladder .....	7.3
Swimming .....	1.9, 7.3
Symbols .....	1.16

## T

Tachometer and Hour Meter .....	2.9
<i>See also</i> Layout: Helm Gauges & Switches	
Terms .....	1.15
Throttle Control. <i>See</i> Gear Shift and Throttle Control	
Trailering .....	2.1, 3.2, 7.4, 7.6
Trim. <i>See</i> Power Trim	

## U

U.S. Coast Guard (USCG) .....	1.13
Upholstery .....	9.3

## V

Visual Distress Signals .....	1.2
Voltmeter .....	2.9
<i>See also</i> Layout: Helm Gauges & Switches	

## W

Warning Label Locations .....	1.17
Warranty .....	iii, v
Water Sport Tower .....	7.3
Water Sports .....	1.9
Water Temperature .....	2.9, 3.6
<i>See also</i> Layout: Helm Gauges & Switches	
Weather .....	1.8
Winterization .....	8.4

## Z

Zinc Anodes .....	6.4
-------------------	-----